

Wall mounted unit Technical data book FWT-GT



FWT02GATNMV1
FWT03GATNMV1
FWT04GATNMV1
FWT05GATNMV1
FWT06GATNMV1

Table of contents

FWT-GT

1	Features	4
	FWT-GT	4
2	Specifications	5
3	Dimensional drawings	7
4	Piping diagrams	8
5	Wiring diagrams	9
	Wiring Diagrams - Single Phase	9
6	Sound data	10
	Sound Pressure Spectrum	10
7	Operation range	11

1 Features

1 - 1 FWT-GT

AC fan motor unit for wall mounting

- 1
 - › High aesthetic cabinet design
 - › Optimum air distribution
 - › Easy to install
 - › Wireless remote control up to 9 m distance
 - › 3-speed fan motor
 - › Wide operating range
 - › Low operating sound level thanks to tangential fan
 - › Insulated with self-extinguishing class 1 heat insulation
 - › Removable washable air filter (self-extinguishing class 1)



2 Specifications

1 - 1 FWT-GT

Technical specifications				FWT02GT	FWT03GT	FWT04GT	FWT05GT	FWT06GT	
Cooling capacity (standard conditions)	Latent capacity 2-pipe	High	kW	0.58 (1)	0.68 (1)	0.67 (1)	1.11 (1)	1.18 (1)	
		Sensible capacity 2-pipe	Low	kW	1.50 (1)	1.49 (1)	1.91 (1)	2.77 (1)	3.22 (1)
	Total capacity 2-pipe	Medium	kW	1.73 (1)	1.69 (1)	2.21 (1)	3.00 (1)	3.52 (1)	
		High	kW	1.82 (1)	1.99 (1)	2.60 (1)	3.38 (1)	4.03 (1)	
		Low	kW	1.94 (1)	2.02 (1)	2.52 (1)	3.76 (1)	4.04 (1)	
Heating capacity (standard conditions)	Capacity 2-pipe	Low	kW	2.20 (1)	2.23 (1)	2.79 (1)	4.02 (1)	4.32 (1)	
		Medium	kW	2.40 (1)	2.67 (1)	3.27 (1)	4.49 (1)	5.21 (1)	
		High	kW	2.06 (2)	2.25 (2)	2.75 (2)	4.03 (2)	4.83 (2)	
Power input	Low	kW	0.03		0.04	0.05	0.06		
	Med.	kW	0.03		0.04	0.05	0.07		
	High	kW	0.031	0.032	0.042	0.053	0.072		
FCEER CLASS				D		C		D	
FCCOP CLASS				C					
Dimensions	Unit	Height	mm	288			310		
		Width	mm	800			1,070		
		Depth	mm	206			224		
	Packed unit	Height	mm	344			386		
		Width	mm	874			1,136		
		Depth	mm	274			314		
Weight	Unit	kg	9.00			14.0			
	Operation weight	kg	10			15			
	Packed unit	kg	13			16			
Casing	Colour	White							
	Material	High impact polystyrene							
Heat exchanger	Type	Seamless copper tubing, mechanically bonded to rippled and louvred aluminum fins.							
	Height	mm	294			336			
	Length	mm	610			858			
	Circuits	Quantity	3	4		6			
	Rows	Quantity	2						
	Fin	Type	Aluminium (hydrophilic fin)						
	Tube material	Copper							
	Tube type	Plain							
	Tube internal diameter	mm	6						
	Tube thickness	mm	0.28						
Water volume	l	1							
Air direction control	Automatic louver (up & down)								
Air filter	Type	Washable Saranet							
	Grade	Do not use							
	Quantity	pc	2						
Fan	Type	Cross flow fan							
	Quantity	1							
	Air flow rate	Low	m ³ /h	340 (3)	374 (3)	442 (3)	663 (3)	782 (3)	
		Medium	m ³ /h	391 (3)	425 (3)	544 (3)	765 (3)	883 (3)	
High		m ³ /h	442 (3)	476 (3)	629 (3)	866 (3)	1,053 (3)		
Fan motor	Model	1-Phase SCR							
	Index of Protection	20					44		
	Insulation grade	Class "E"							
	Poles	4							
	Motor efficiency	Low	%	13	15	23	24	29	
Medium		%	19	21	36	29	36		
High		%	27	29	44	37	48		
Insulation material	PE								
Total sound power level	Low	dB(A)	36 (4)	39 (4)	45 (4)	47 (4)	51 (4)		
	Medium	dB(A)	41 (4)	44 (4)	50 (4)	51 (4)	54 (4)		
	High	dB(A)	45 (4)	48 (4)	55 (4)		59 (4)		
Sound pressure level	Low	dB(A)	25 (5)		32 (5)	34 (5)	39 (5)		
	Medium	dB(A)	29 (5)	30 (5)	39 (5)	38 (5)	42 (5)		
	High	dB(A)	34 (5)	35 (5)	42 (5)		46 (5)		

2 Specifications

1 - 1 FWT-GT

2

Technical specifications				FWT02GT	FWT03GT	FWT04GT	FWT05GT	FWT06GT	
Water flow	Cooling	Low	l/h	420	460	570	780	910	
		Medium	l/h	420	460	570	780	910	
		High	l/h	420	460	570	780	910	
	Heating	High	l/h	420	460	570	780	910	
		Low	l/h	420	460	570	780	910	
		Medium	l/h	420	460	570	780	910	
	Water pressure drop	Cooling	Low	kPa	24	20	28	23	26
			Medium	kPa	28	22	30	25	29
			High	kPa	34	24	31	30	36
Heating		Low	kPa	23	16	19	24	30	
		Medium	kPa	29	19	25	27	34	
		High	kPa	35	23	31	32	42	
Piping connections	Water	Inlet				1/2"			
		Outlet				1/2"			
	Drain	OD	mm			19			

Electrical specifications				FWT02GT	FWT03GT	FWT04GT	FWT05GT	FWT06GT	
Power supply	Type			230 / 1 / 50					
	Phase			1N~					
	Frequency	Hz		50					
	Voltage	V		220-240					
Current input	Low	A	0.17	0.19		0.25	0.31		
	Medium	A	0.18	0.20		0.26	0.32		
	High	A	0.19	0.20	0.21	0.29	0.34		
Fan motor	Control Voltage	Low	V	230.0					
		Medium	V	230.0					
		High	V	230.0					
	Power input	Low	kW	0.025	0.029	0.033	0.042	0.060	
		Medium	kW	0.029	0.031	0.037	0.047	0.068	
		High	kW	0.031	0.032	0.042	0.053	0.072	
	Running current	Low	A	0.2			0.3		
		Medium	A	0.2			0.3		
		High	A	0.2			0.3		

(1)Cooling: indoor temp. 27°CDB, 19°CWB; entering water temp. 7°C, water temperature rise 5K. |

(2)Heating: 2 pipe: air 20°CDB; entering water 50°C |

(3)Air flow at 0Pa ESP |

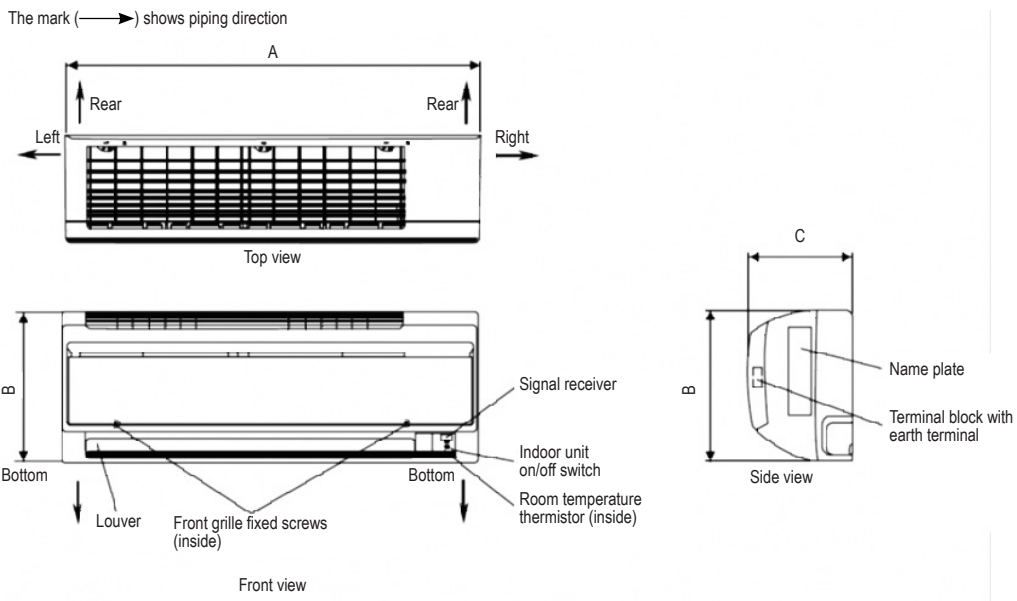
(4)Sound power level according to ISO3741 |

(5)Sound pressure measured at 1m in front of the unit and 0.8m below the vertical centre line of the unit (JIS C 9612).

3 Dimensional drawings

3 - 1 Dimensional Drawings

FWT-GT



Dimension	A	B	C
FWT 02,03,04 GT	800	288	206
FWT 05,06 GT	1065	310	224

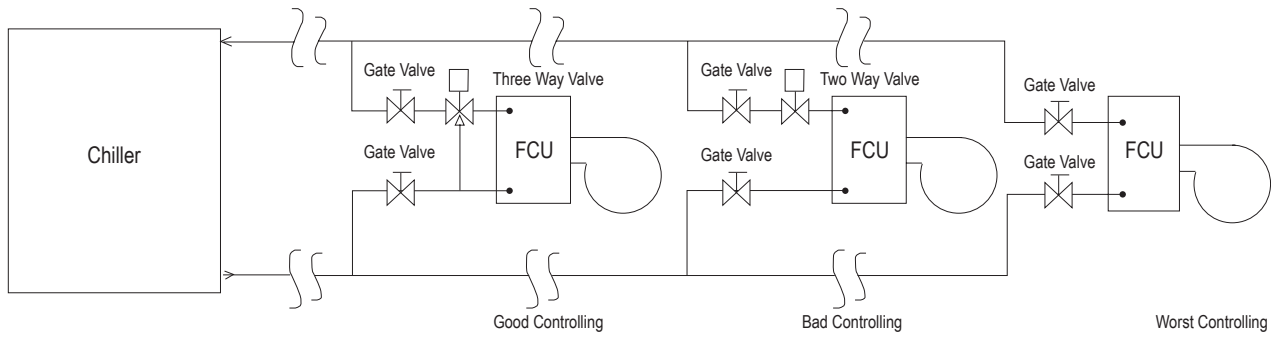
rev.00_1

4 Piping diagrams

4 - 1 Piping Diagrams

4

FWT-GT (water piping diagram)

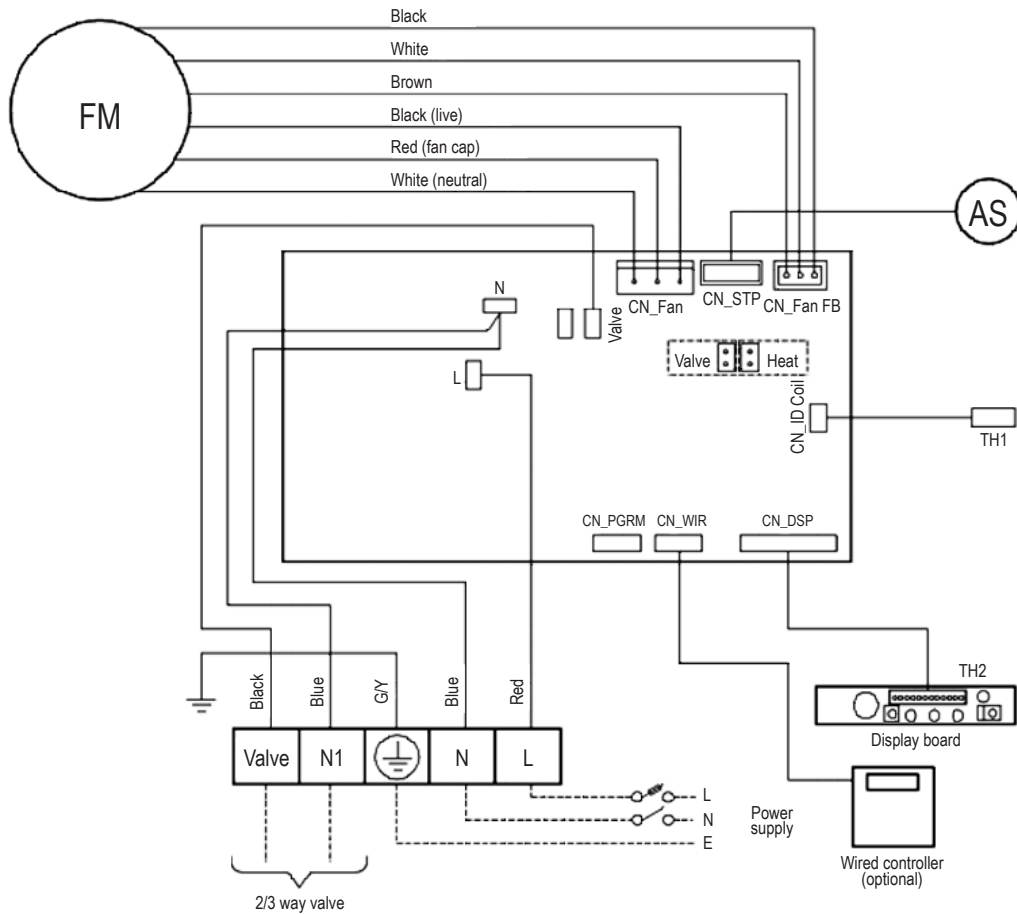


rev.00_1

5 Wiring diagrams

5 - 1 Wiring Diagrams - Single Phase

FWT-GT



NOTES

- FM : Fan motor
- AS : Air swing motor
- TH1 : Indoor coil thermistor
- TH2 : Room thermistor

- With jumper for heat pump
- Without jumper for cooling only

- With jumper for valve application
- Without jumper for valveless application

----- Field wiring

rev.00_1

6 Sound data

6 - 1 Sound Pressure Spectrum

6

FWT-GT

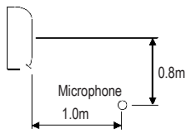
Sound pressure level

Model	Speed	1/1 Octave Sound Pressure Level (dB, ref 20µPa)							Overall (dBA)
		125Hz	250Hz	500Hz	1kHz	2kHz	4kHz	8kHz	
FWT02GT	High	31	32	33	28	28	14	6	34
	Med	25	29	28	24	19	9	5	29
	Low	20	28	24	20	11	8	6	25
FWT03GT	High	30	33	33	32	28	17	8	35
	Med	26	29	30	27	21	11	7	30
	Low	19	25	25	21	14	6	6	25
FWT04GT	High	41	39	39	38	36	26	14	42
	Med	38	36	37	34	32	22	10	39
	Low	30	30	31	28	23	12	7	32
FWT05GT	High	37	38	38	39	33	22	11	42
	Med	33	35	35	35	29	17	8	38
	Low	29	33	32	31	23	12	7	34
FWT06GT	High	42	42	42	42	40	31	21	43
	Med	37	38	39	38	34	24	13	42
	Low	34	35	36	35	30	20	9	39

rev.00_1

NOTES

1. Measuring Location



2. Testing Standard: JIS C 9612

7 Operation range

7 - 1 Operation Range

FWT-GT

Thermal Carrier: Water

Water Temperature: (4-50)°C

Maximum Water Pressure: 16 bar

Air temperature: (as below)

Heating Mode

Temperature	Ts °C/°F	Th °C/°F
Minimum indoor temperature	15.0 / 59.0	-
Maximum indoor temperature	27.0 / 80.6	-

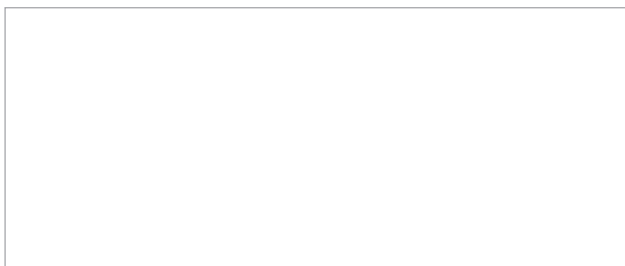
Cooling Mode

Temperature	Ts °C/°F	Th °C/°F
Minimum indoor temperature	19.0 / 66.2	14.0 / 57.2
Maximum indoor temperature	32.0 / 89.6	23.0 / 73.4

NOTES

Ts: Dry bulb temperature
Th: Wet bulb temperature

rev.00_1



EEDEN20

08/2020



The present leaflet is drawn up by way of information only and does not constitute an offer binding upon Daikin Europe N.V. Daikin Europe N.V. has compiled the content of this leaflet to the best of its knowledge. No express or implied warranty is given for the completeness, accuracy, reliability or fitness for particular purpose of its content and the products and services presented therein. Specifications are subject to change without prior notice. Daikin Europe N.V. explicitly rejects any liability for any direct or indirect damage, in the broadest sense, arising from or related to the use and/or interpretation of this leaflet. All content is copyrighted by Daikin Europe N.V.