



Installation manual

# Frost switch

Compact L

Compact T

D-EIMOC2009-29\_01EN

- › Compact L
- › Compact T

**Original instructions**

REV	01
DATE	October 2024
REPLACES	D-EIMOC2009-29_00EN

# 1 Important warnings



The pictogram shows a situation of immediate danger or a dangerous situation that might cause injuries or death.



The pictogram shows that it is necessary to adopt suitable behaviour in order to avoid jeopardising staff safety and cause damages to the equipment.



The pictogram shows particularly important technical information that should be taken into consideration by the people installing or using the equipment.



Read this manual carefully before installation and keep it for any further future consultation by the various operators. Do not remove, tear out or rewrite any part of this manual.



**Failure to follow these instructions may cause damage and injuries, even fatal, voids the warranty and relieves the Manufacturer of any liability.**



All installation, assembly, electrical connections to the mains and ordinary/extraordinary maintenance must be performed **only by technicians complying with the legal requirements**, after turning off the unit and using personal protective equipment (i.e. gloves, protective goggles, etc.), in compliance with the regulations in force in the country the equipment is to be used in and the laws on safety in the workplace.



Installation, use or maintenance other than those specified in the manual may cause damage, injury or death, invalidate the warranty and relieve the Manufacturer of all liability.



Use protective clothing and suitable equipment while handling or installing the equipment, in order to prevent accidents and safeguard your own and other people's safety. Individuals not assigned to installation or maintenance are NOT allowed to stand or pass through the work area while the unit is assembled.



**Before carrying out any installation, disconnect the equipment from the power supply and wait at least 120 seconds before carrying out any operation.**



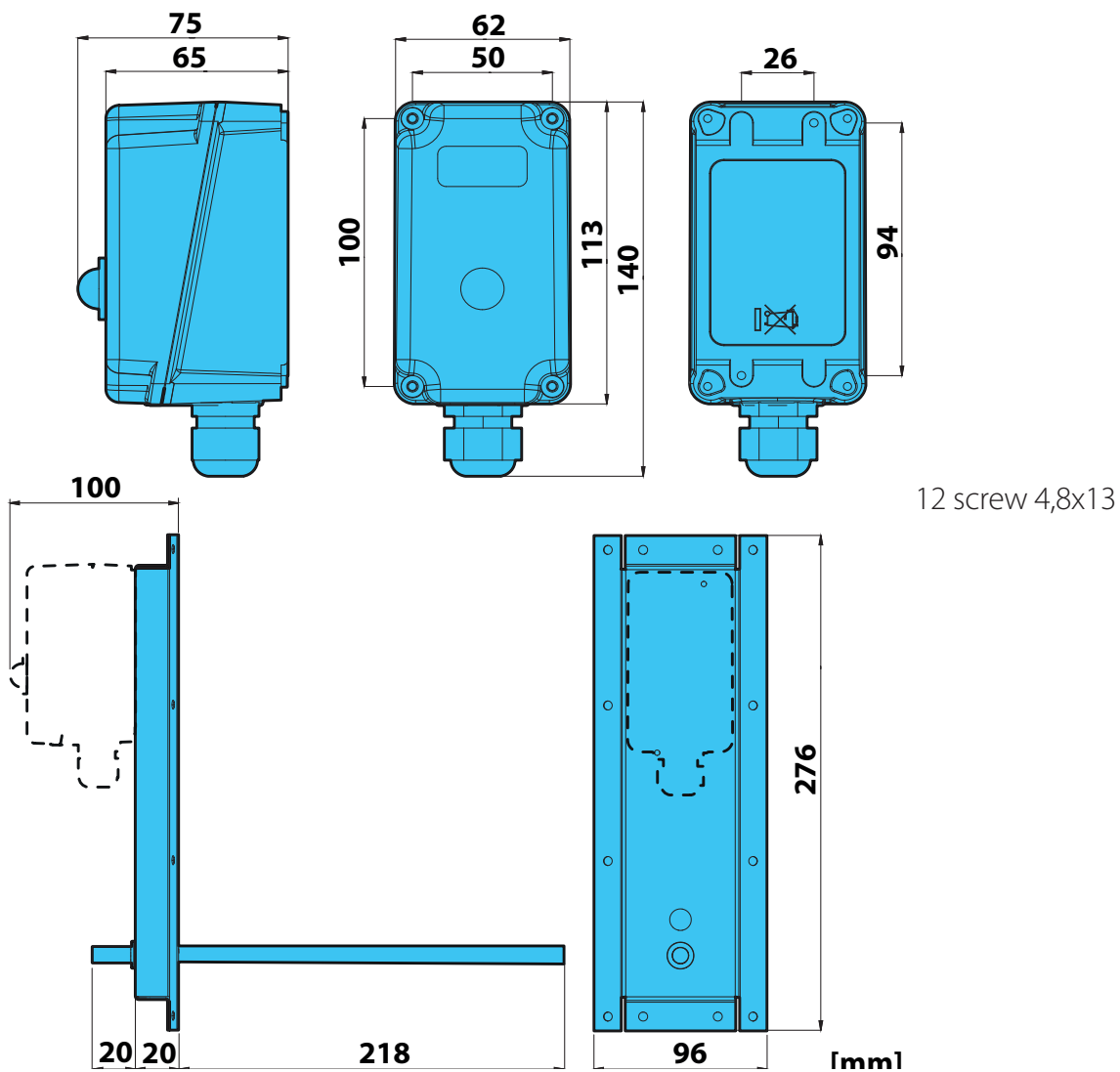
It is the responsibility of the user/installer to check the static and dynamic stability relative to the installation and to arrange environments so that **people who are not competent or authorised DO NOT have access to the unit or to its controls.**

# 2

## Technical data

ATB\* = FROST SWITCH cod. ATE00FSUA

ALB\* = FROST SWITCH cod. ALE00FSUA



### 1 Technical data

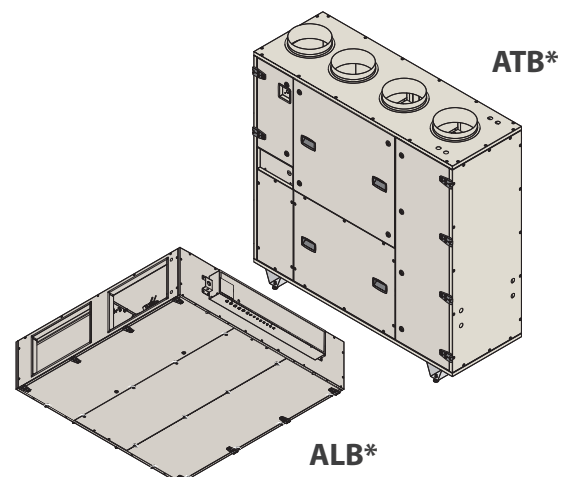
This manual explains the FROST SWITCH assembly for following units:

ATB\* = **Compact T** (FROST SWITCH for circular duct cod. ATE00FSUA)

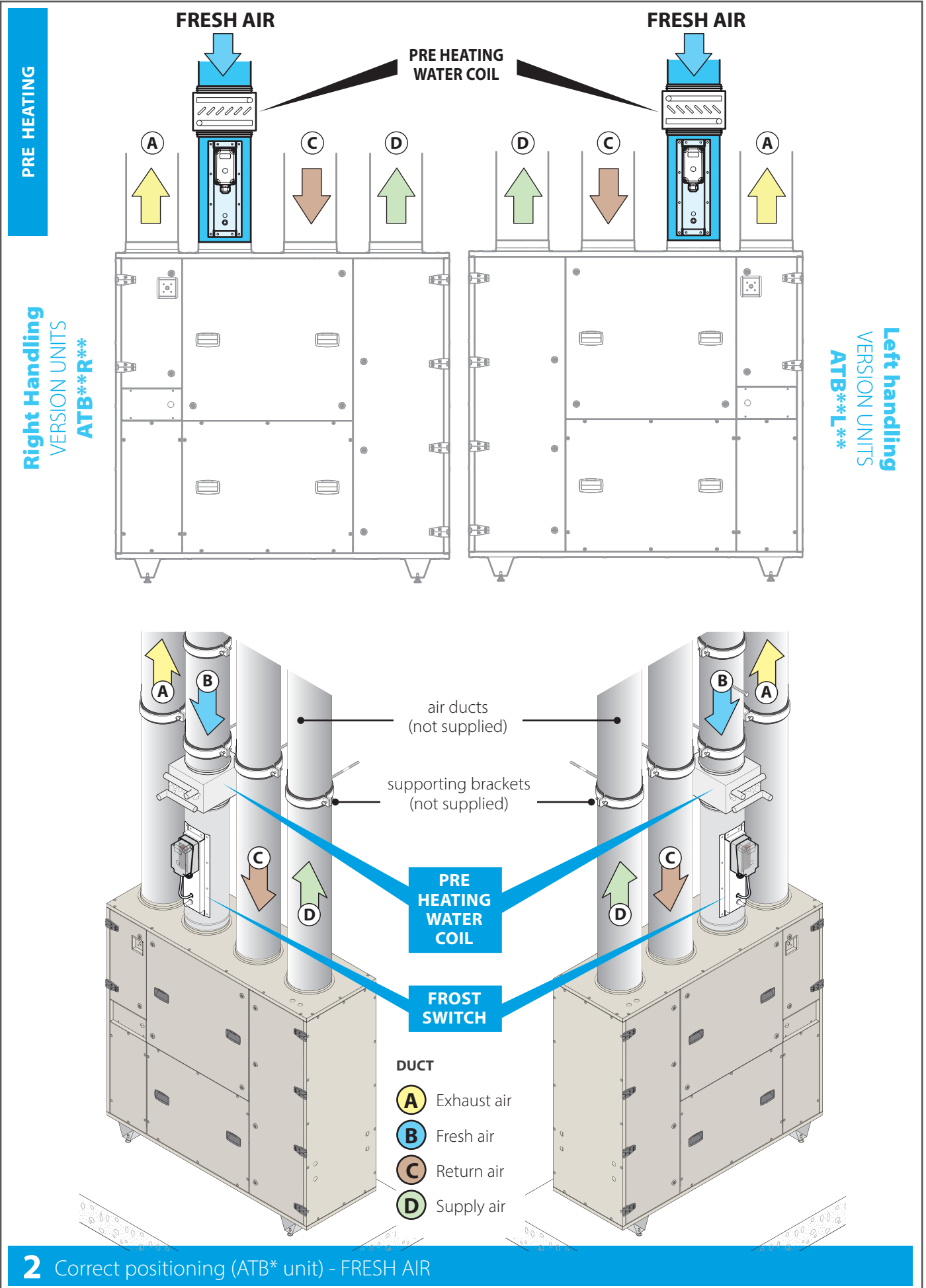
ALB\* = **Compact L** (FROST SWITCH for rectangular duct cod. ALE00FSUA)

Installation for Compact L (ALB\*) ▶ pag. 4

Installation for Compact L (ALB\*) ▶ pag. 9




# 3a Installation (cod. ATE00FSUA for **ATB\*** unit)

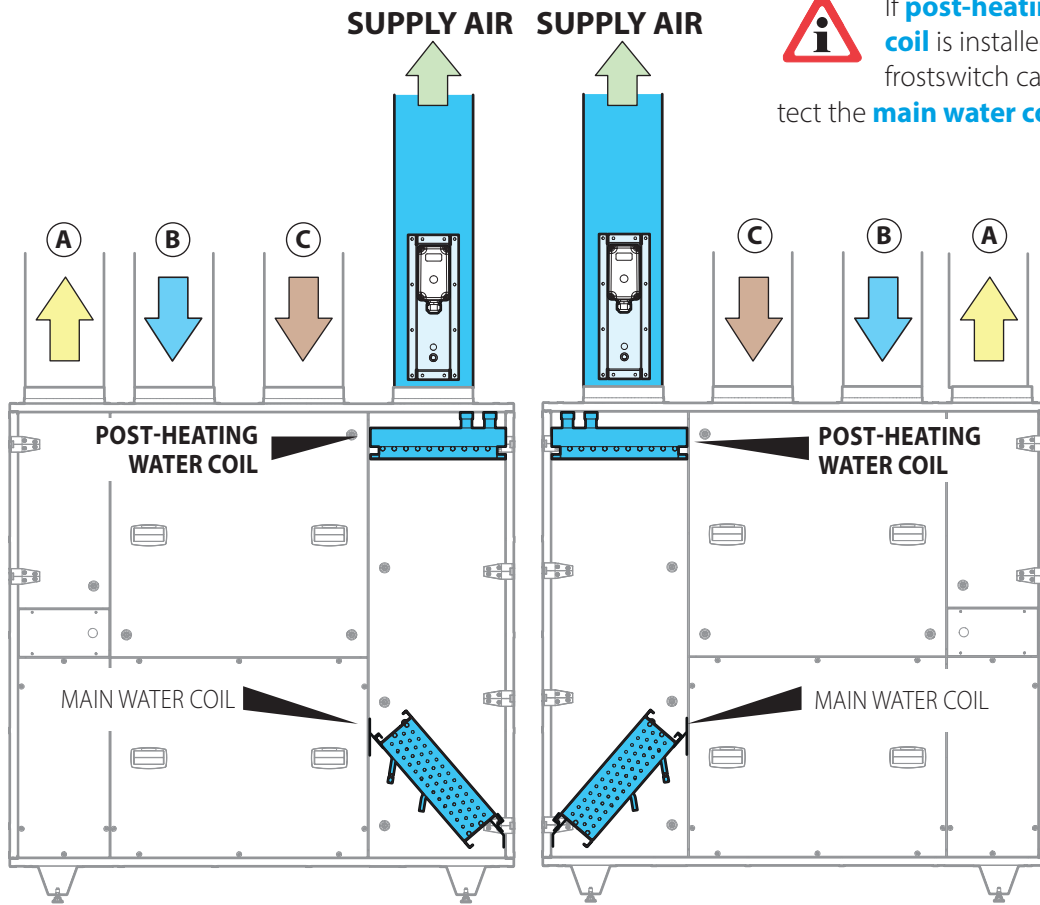




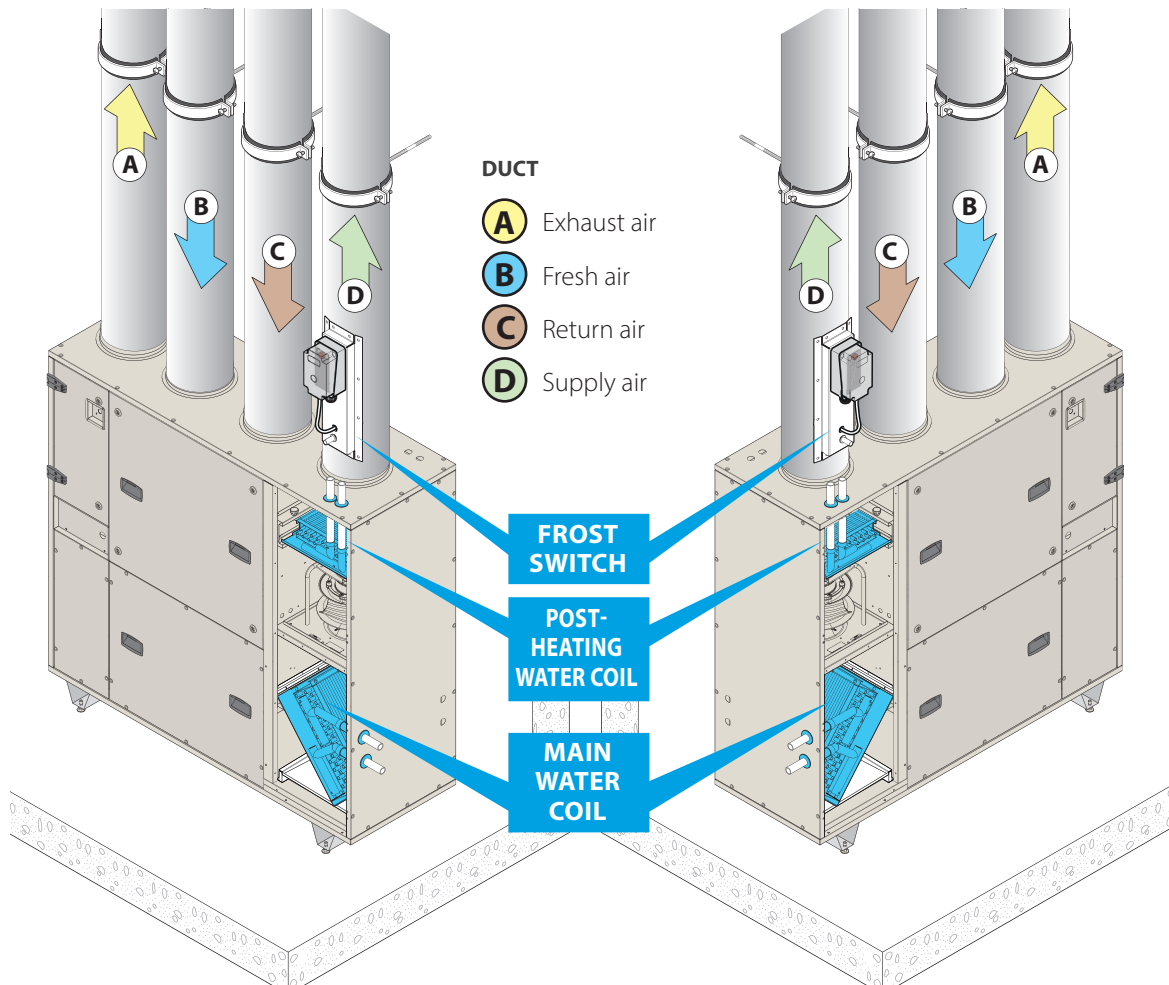
**POST HEATING**

 If **post-heating water coil** is installed, the frostswitch cannot protect the **main water coil**

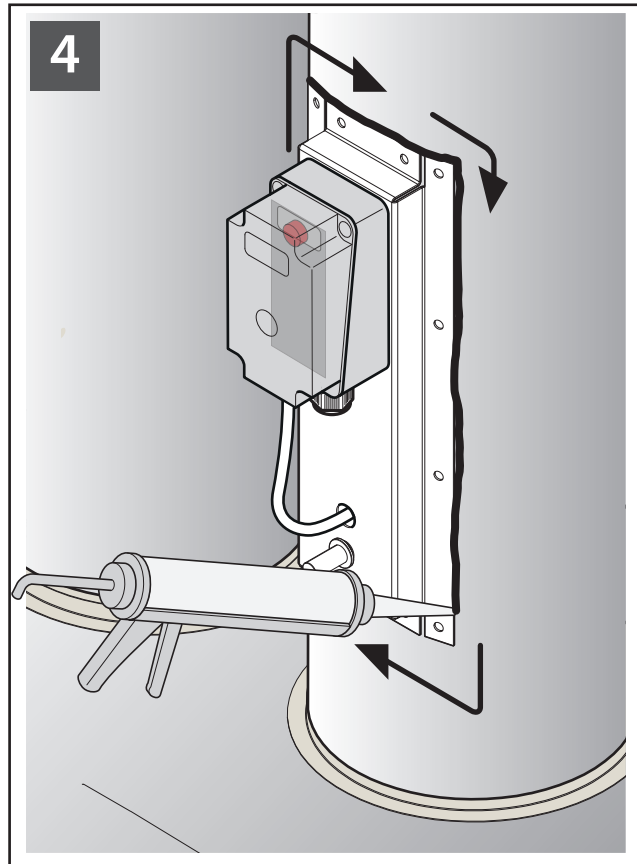
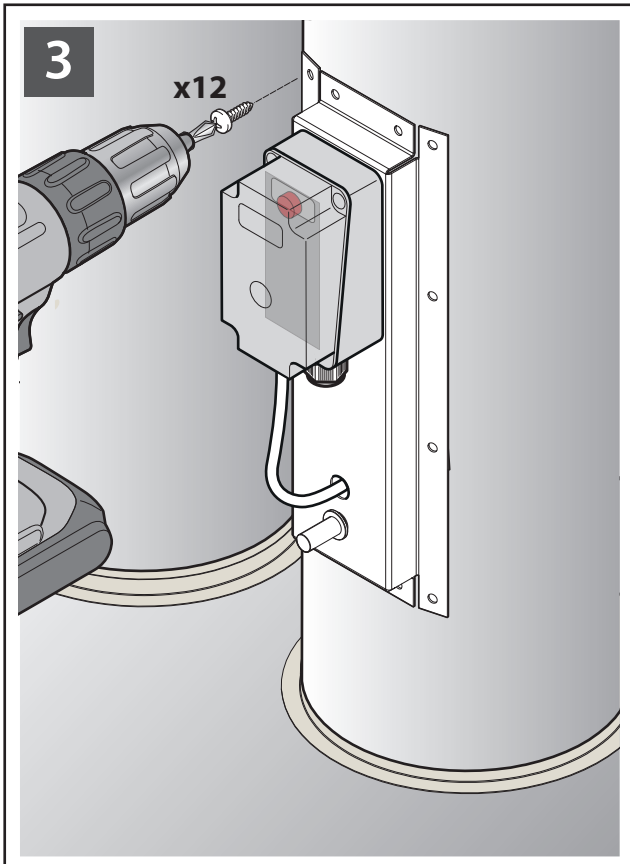
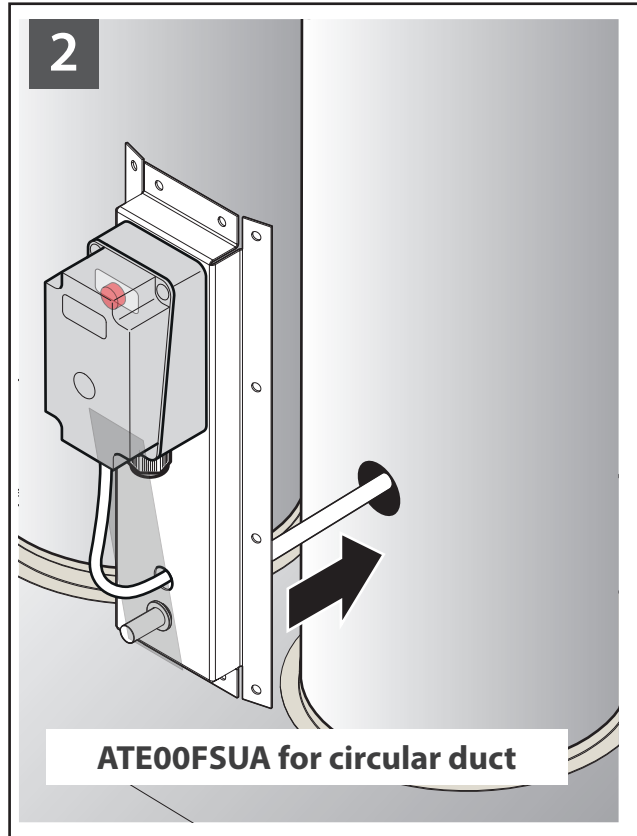
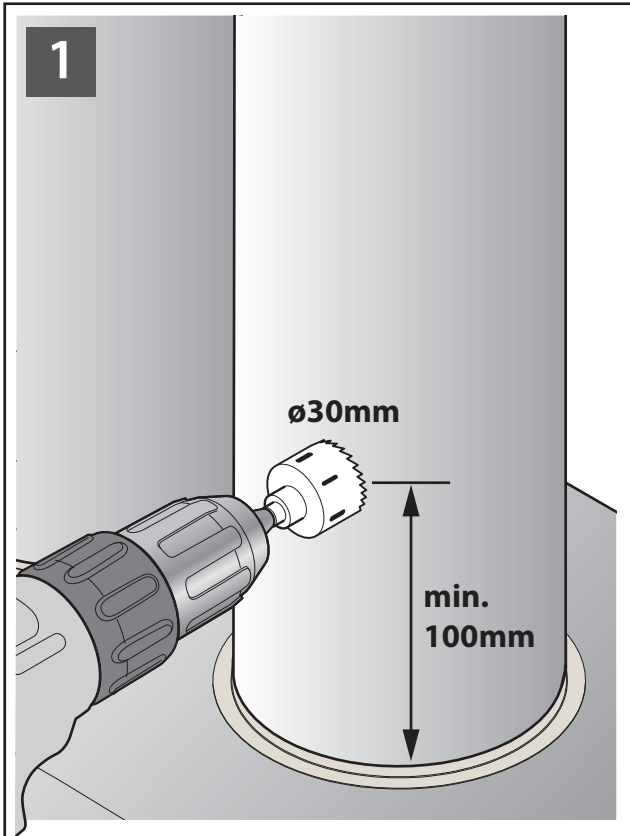
**Right Handling**  
VERSION UNITS  
ATB\*\*R\*\*



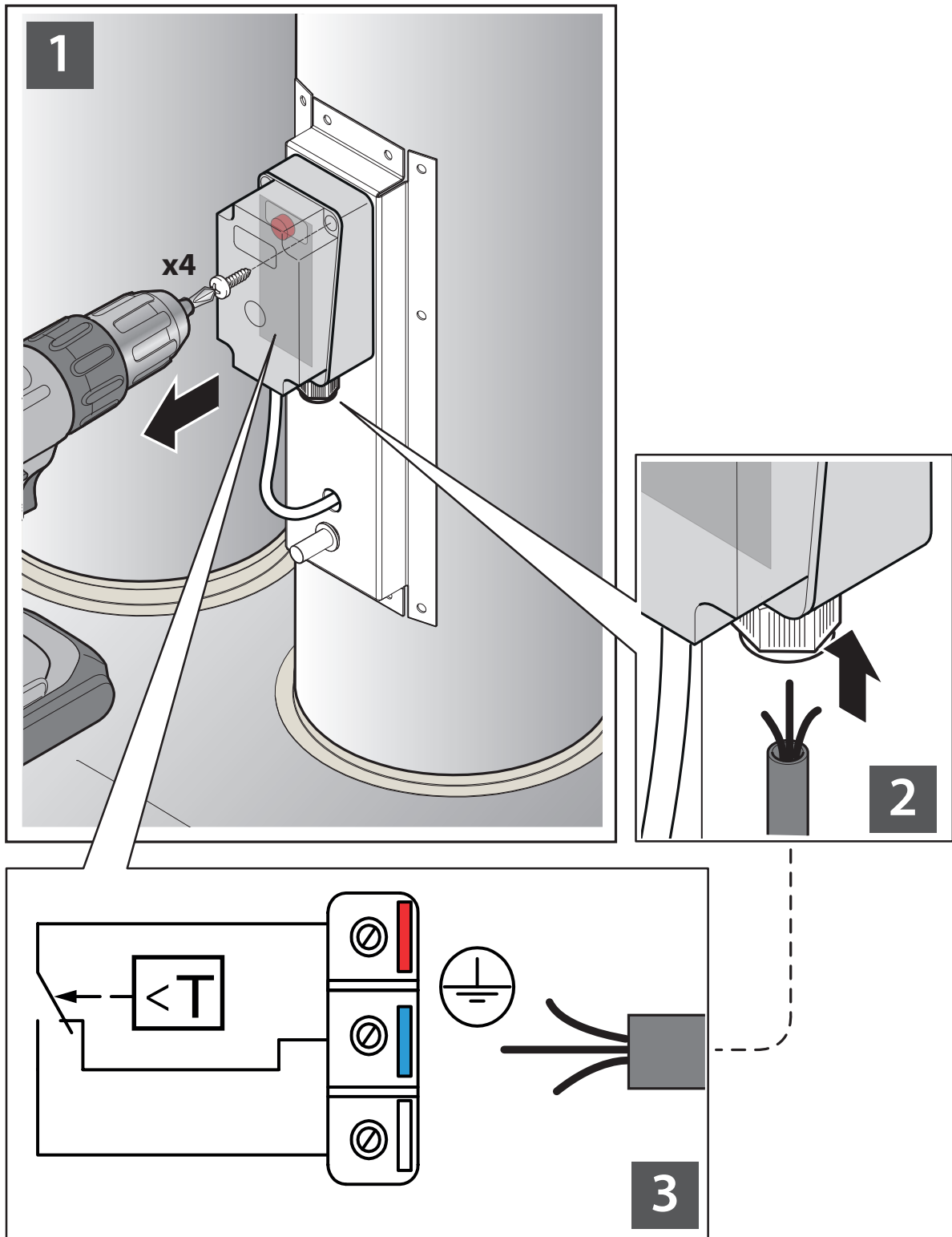
**Left handling**  
VERSION UNITS  
ATB\*\*L\*\*



**3** Correct positioning (ATB\* unit) - SUPPLY AIR

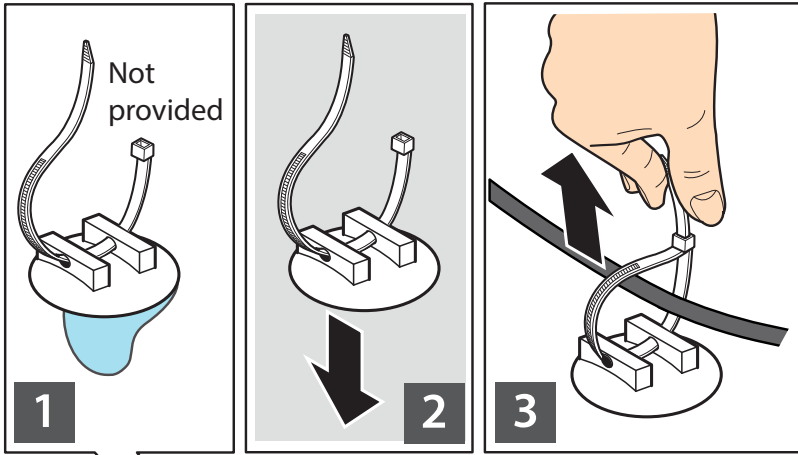


**4** Installation of frost switch (ATB\* unit)

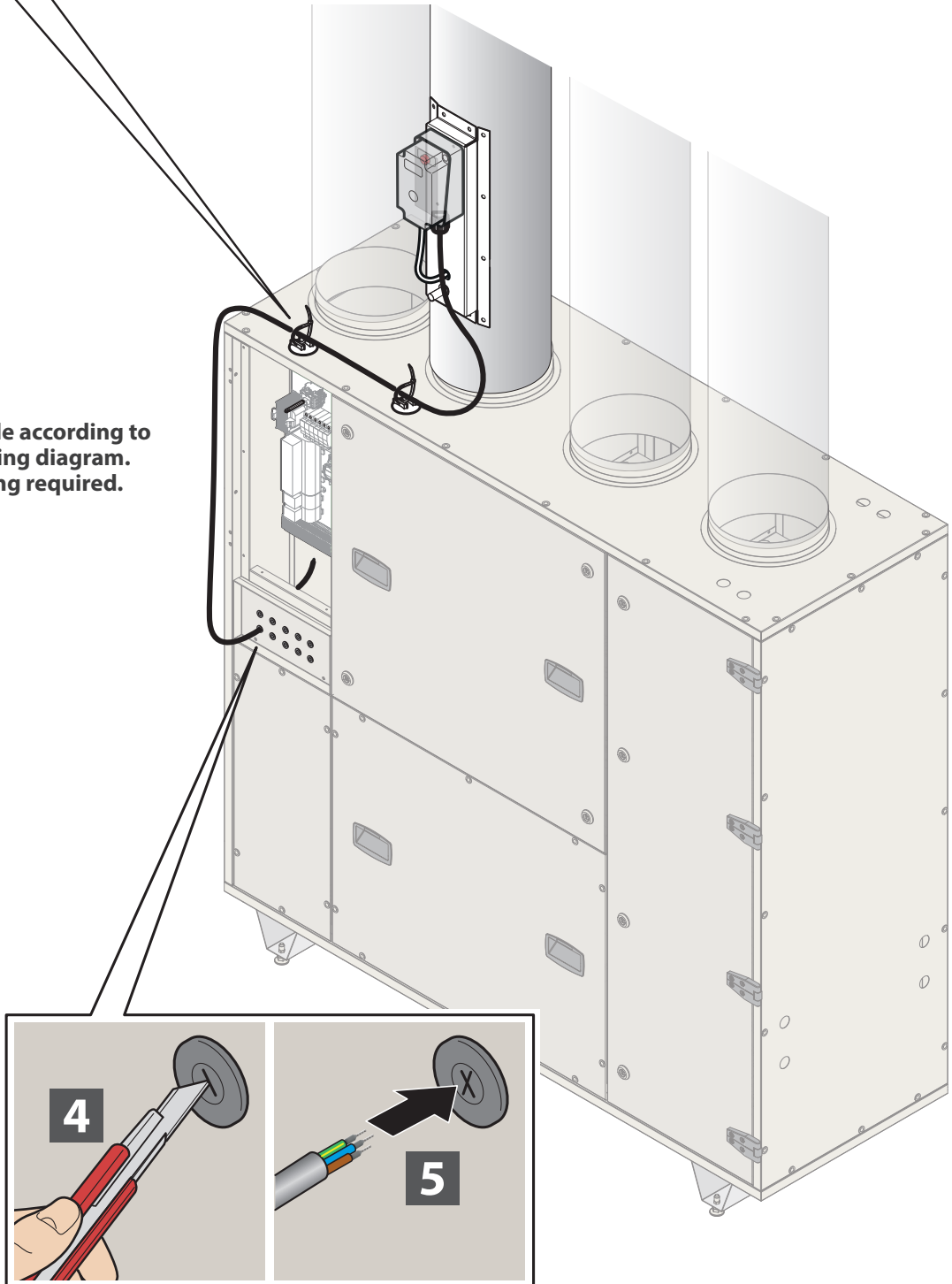


Connect to the red and blue terminal.  
The contact will close when the temperature drops.

**5** Wiring of the frost switch (ATB\* unit)



Connect the cable according to the supplied wiring diagram.  
No commissioning required.

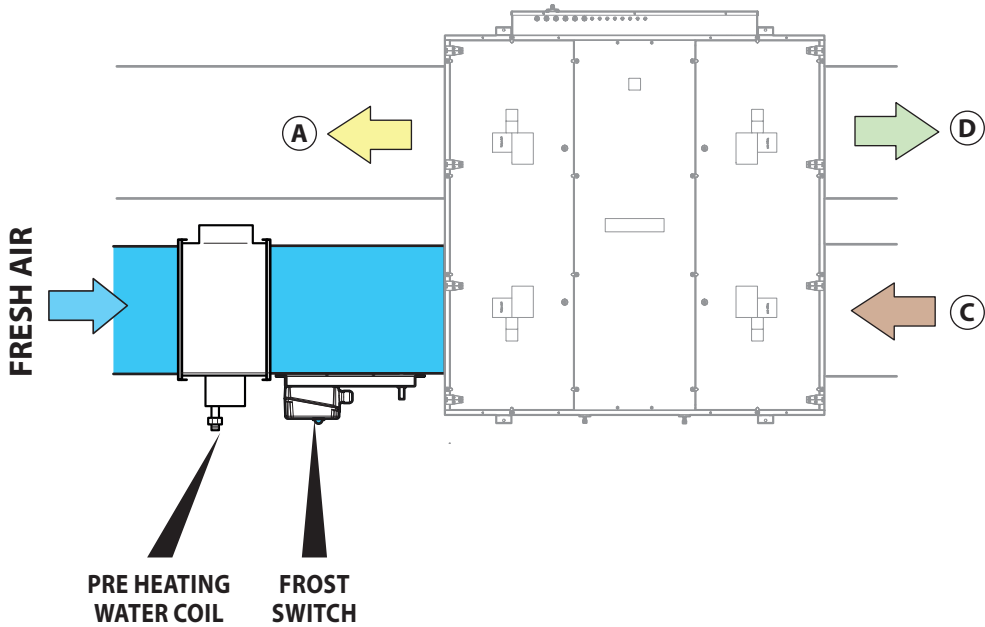


**6** Wiring of the frost switch (ATB\* unit)

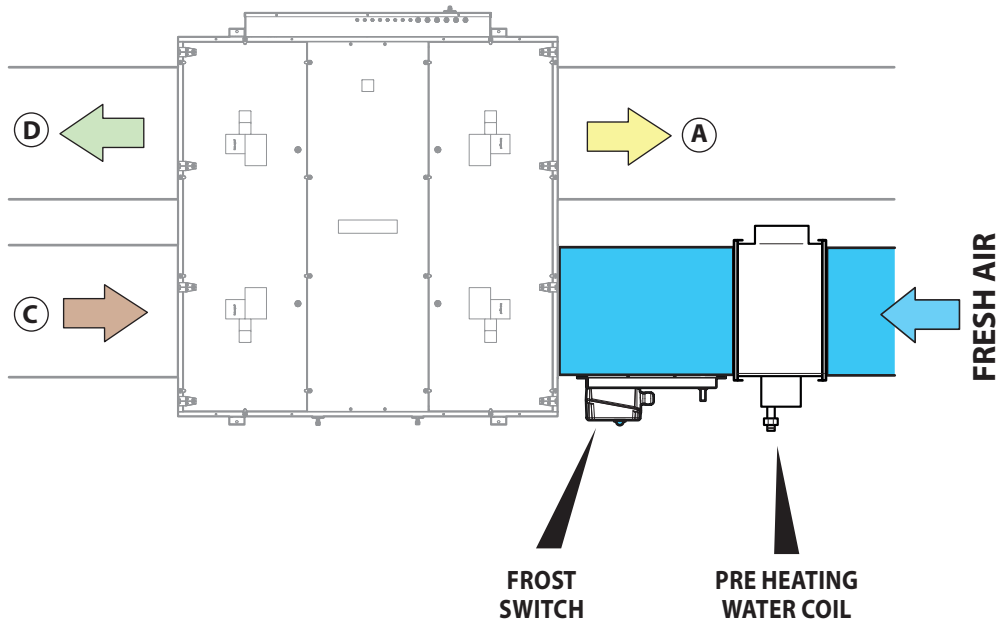
# 3b Installation (cod. ATE00FSUA for **ALB\*** unit)

## PRE HEATING

**Right Handing**  
VERSION UNITS  
**ALB\*\*R\*\***

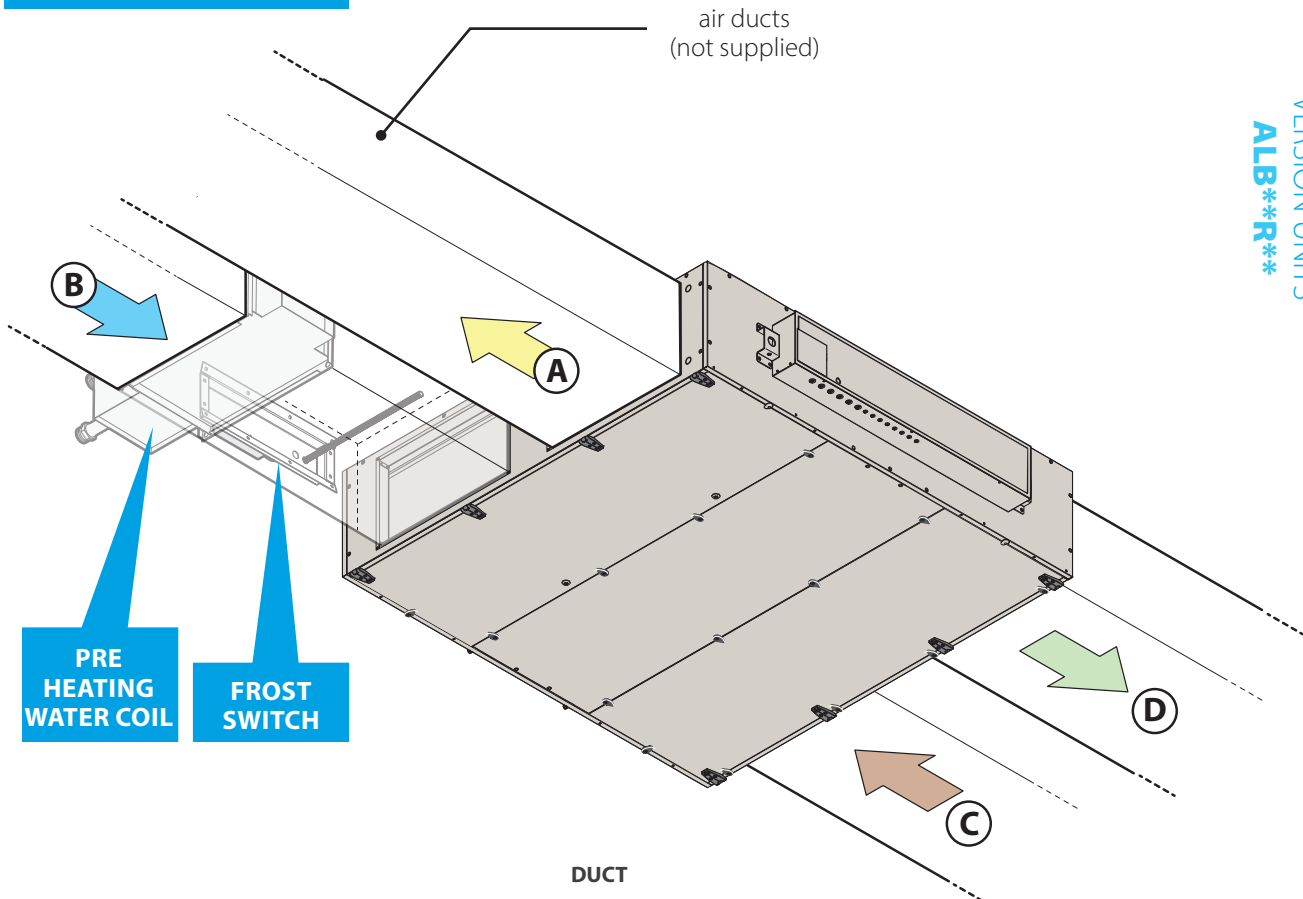


**Left handing**  
VERSION UNITS  
**ALB\*\*L\*\***

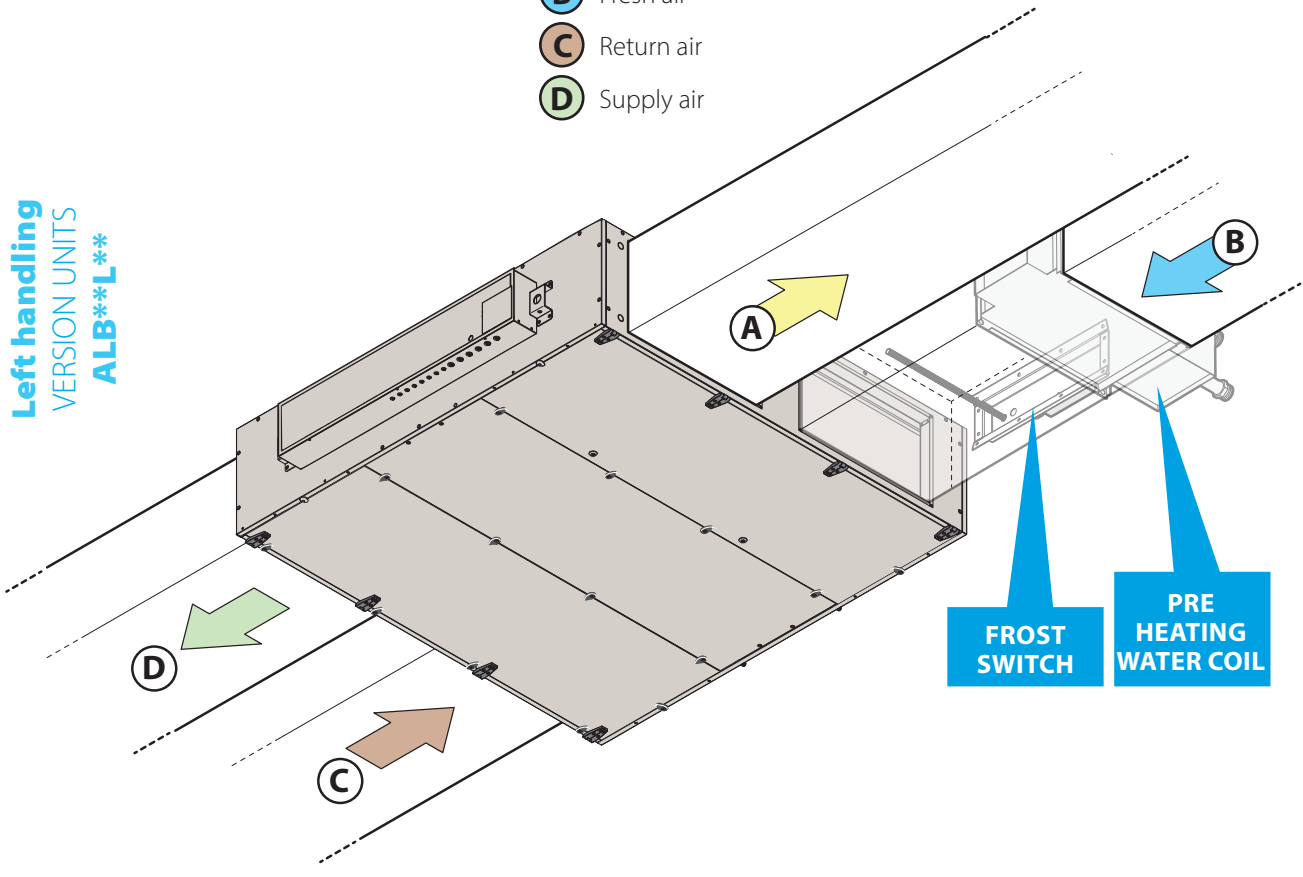


**PRE HEATING**

**Right Handling**  
VERSION UNITS  
ALB\*\*R\*\*



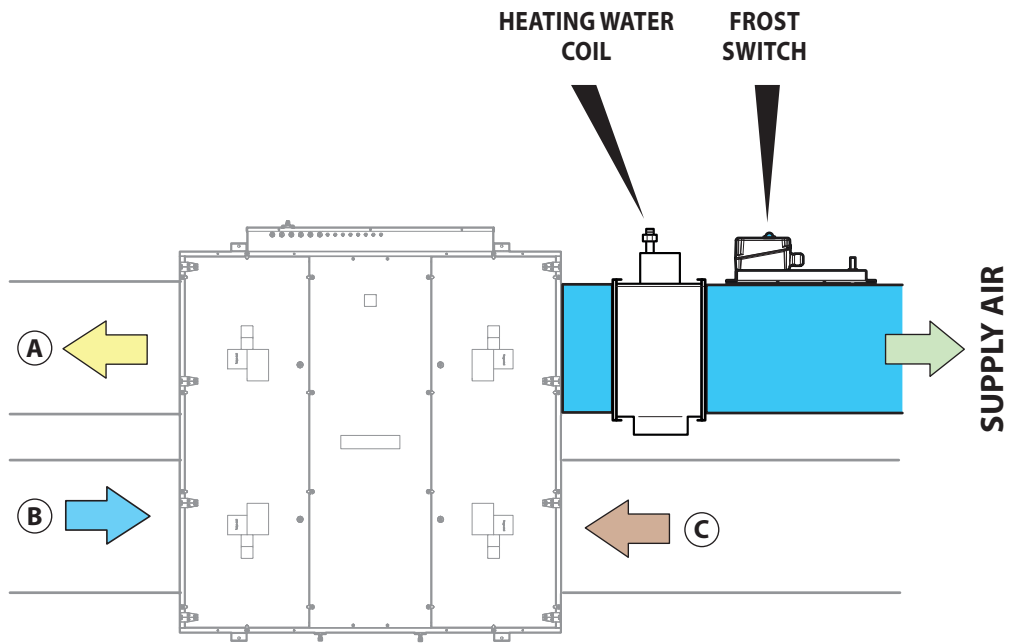
**Left handling**  
VERSION UNITS  
ALB\*\*L\*\*



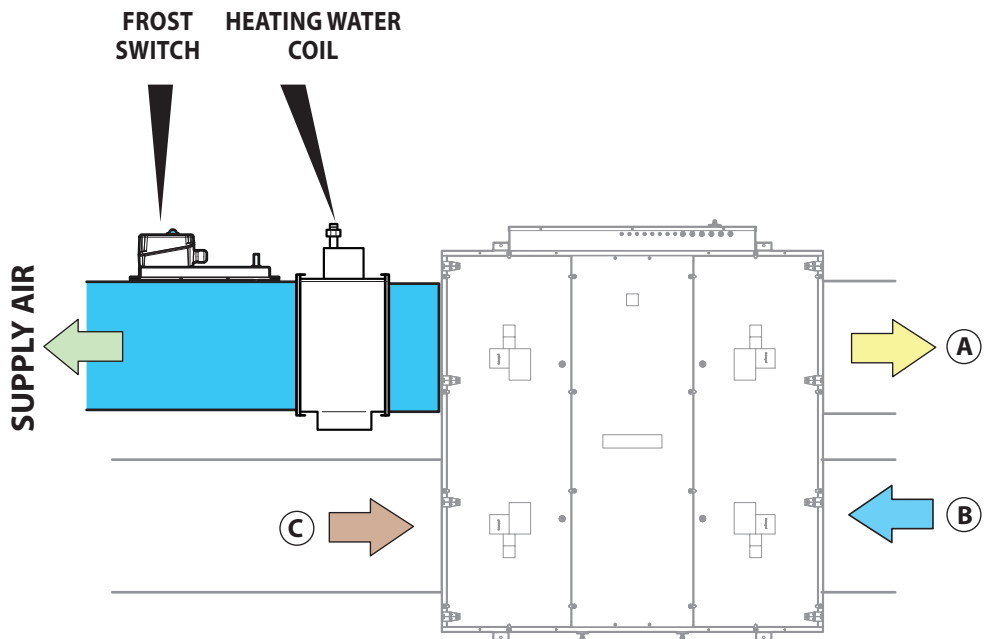
**8** Correct positioning (ALB\* unit)

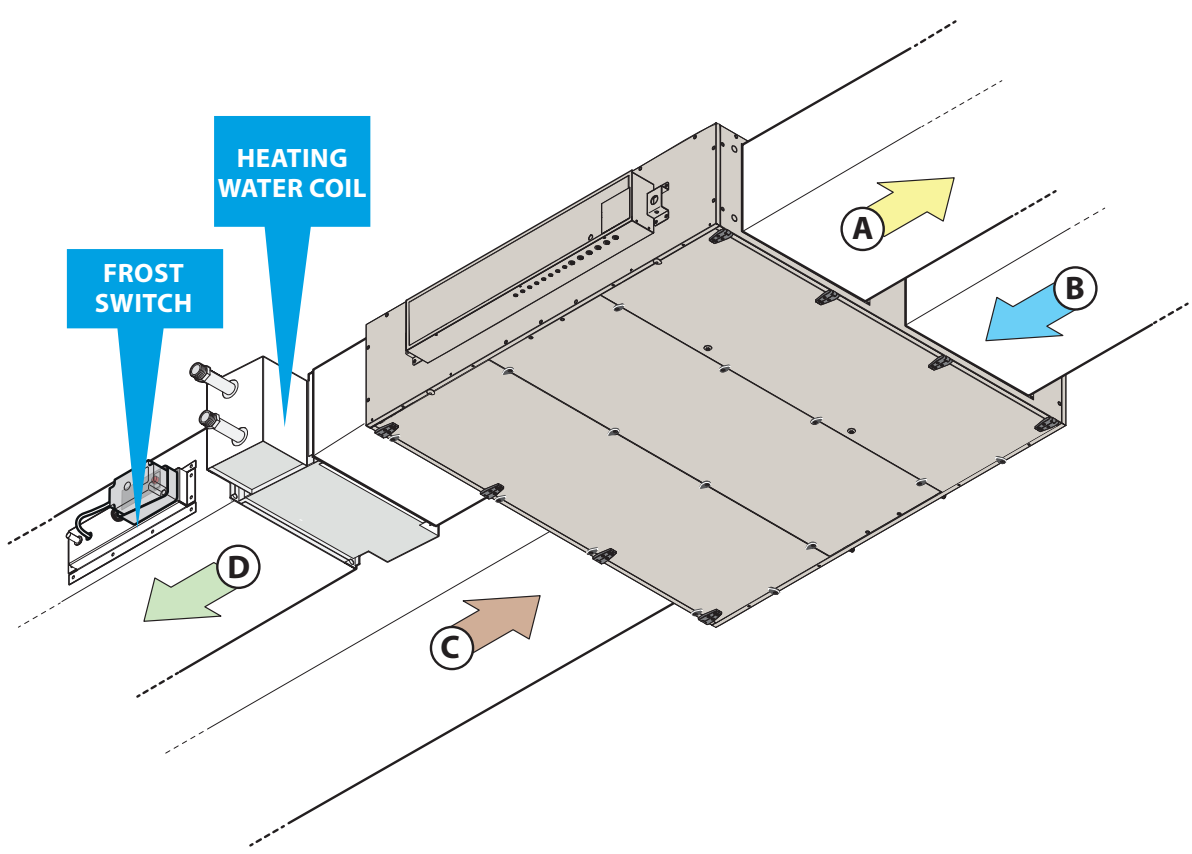
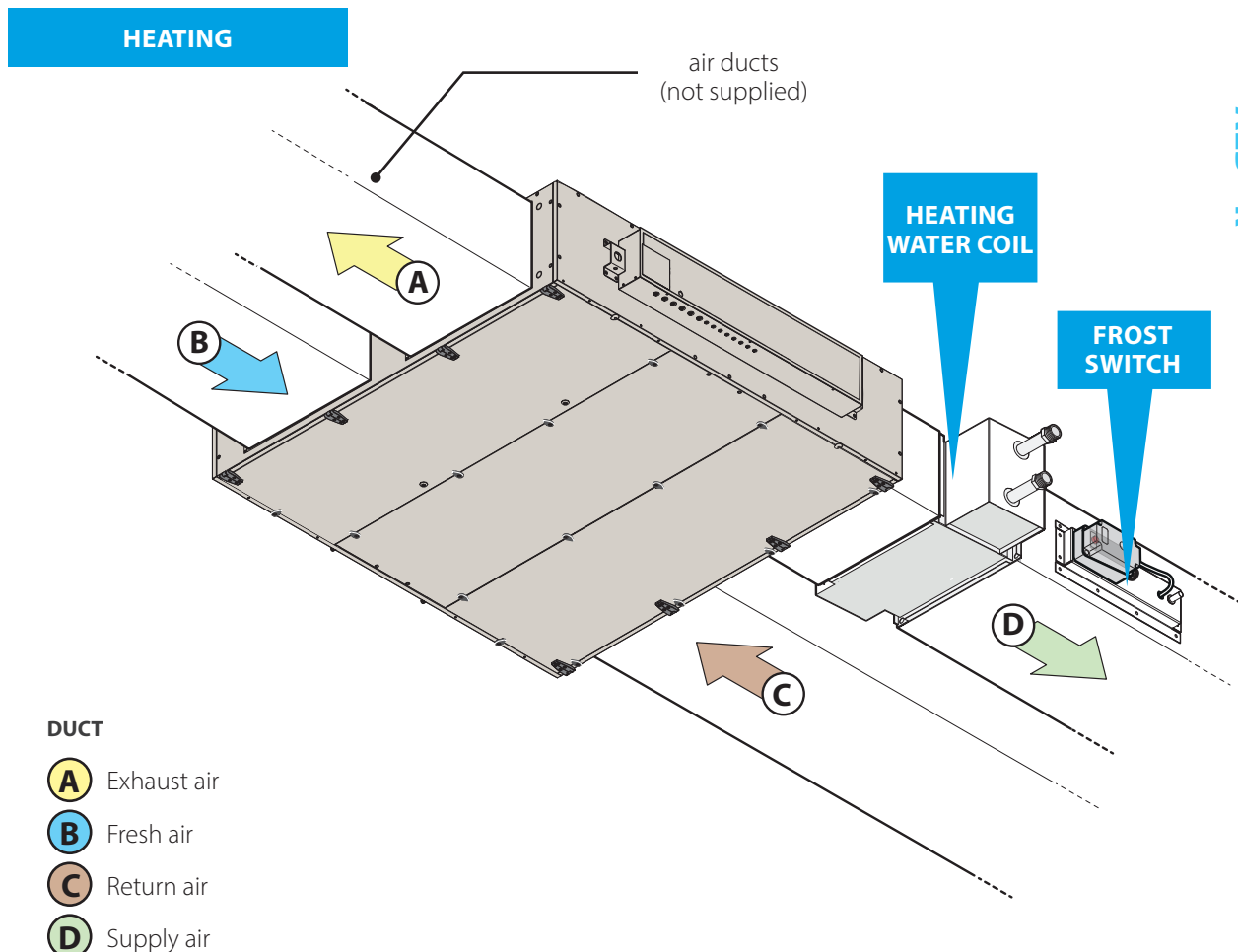
**HEATING**

**Right Handing**  
VERSION UNITS  
**ALB\*\*R\*\***



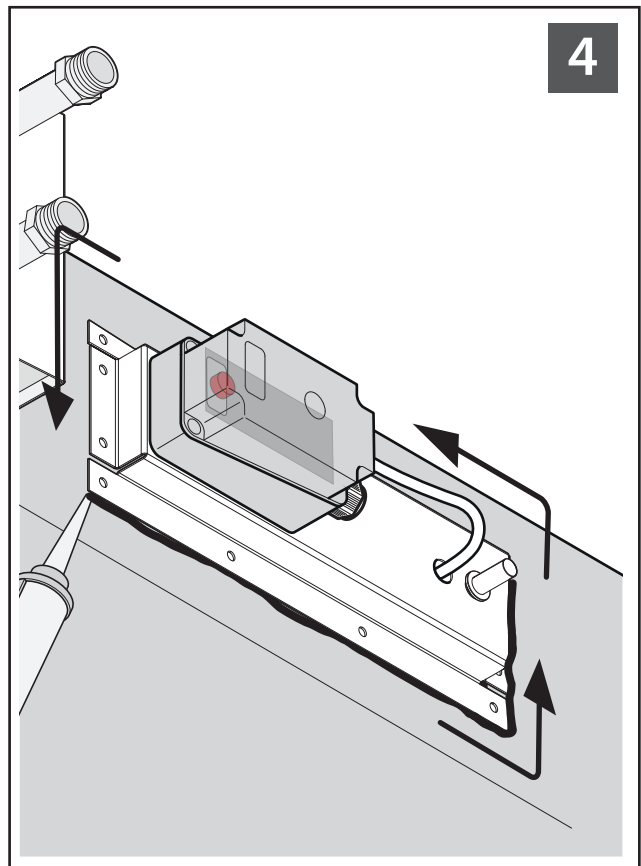
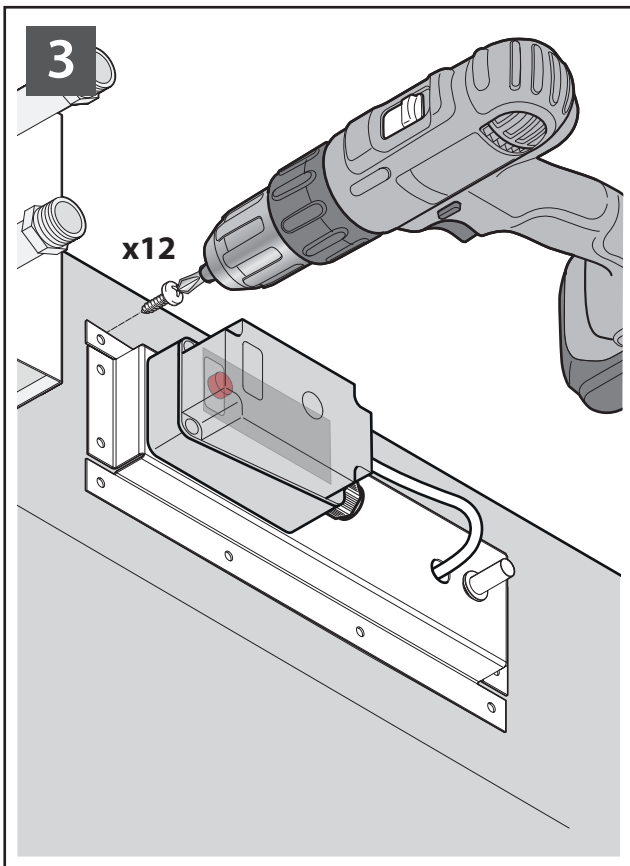
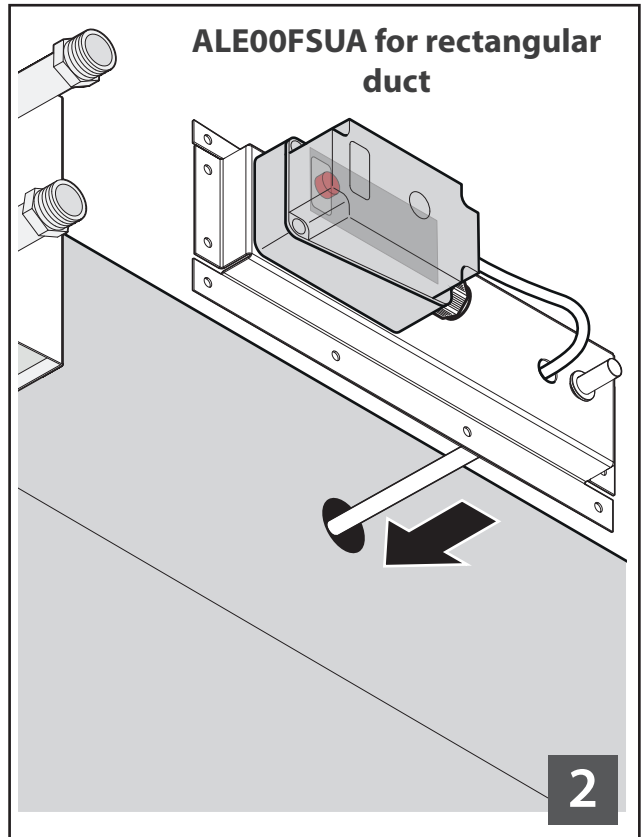
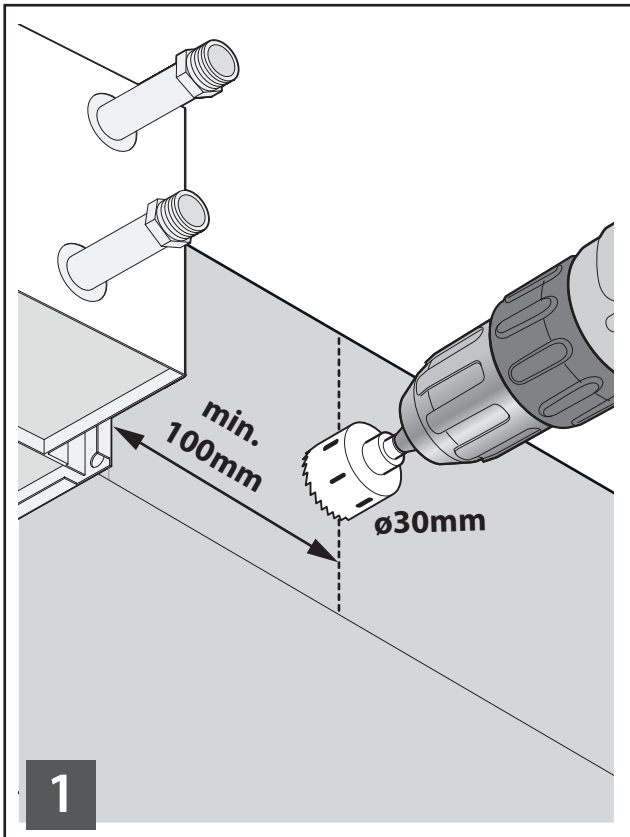
**Left handing**  
VERSION UNITS  
**ALB\*\*L\*\***



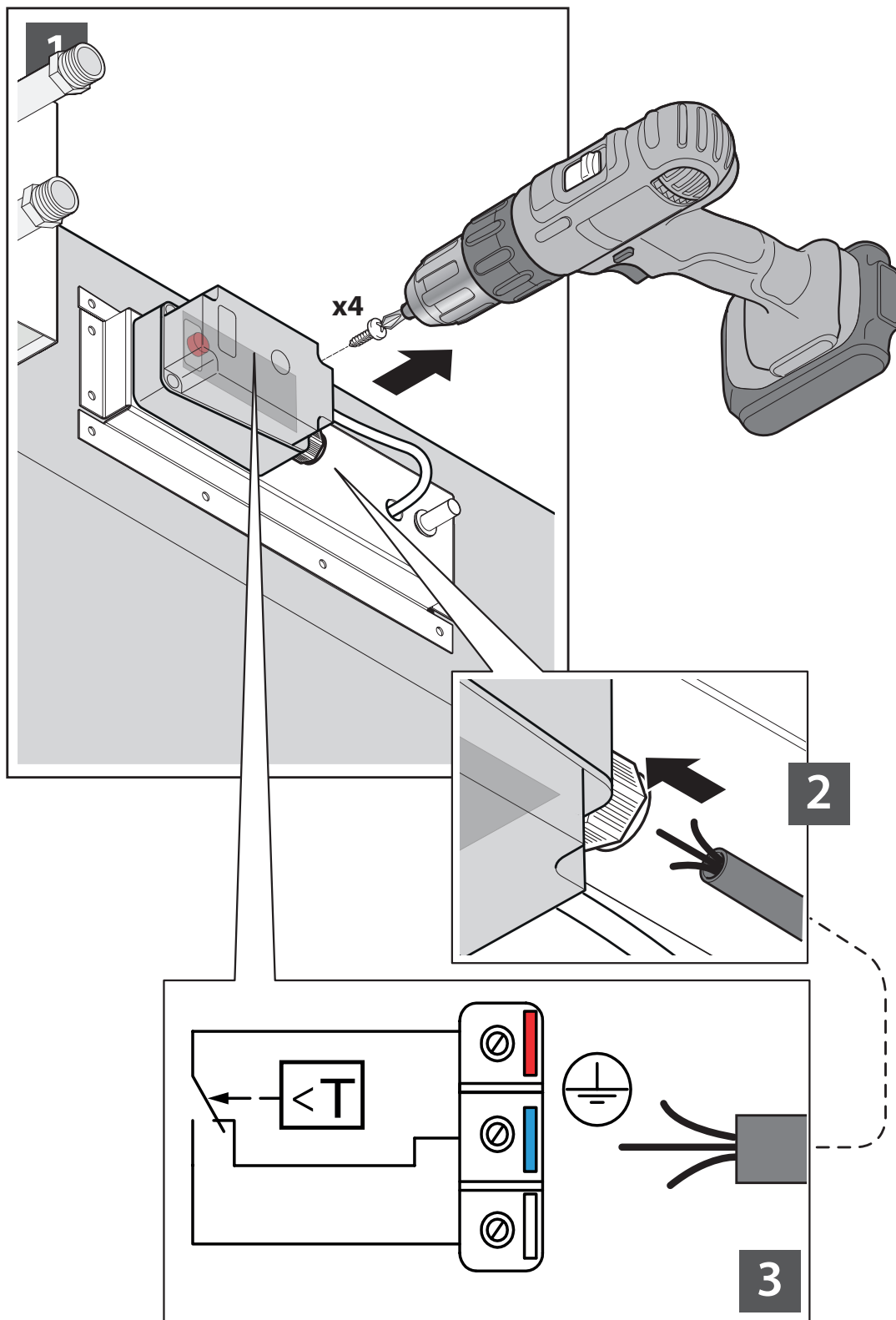


**10** Correct positioning (ALB\* unit)



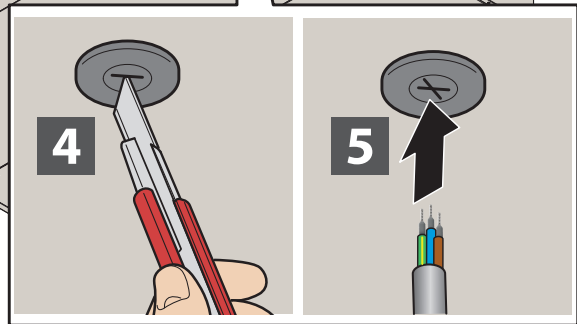
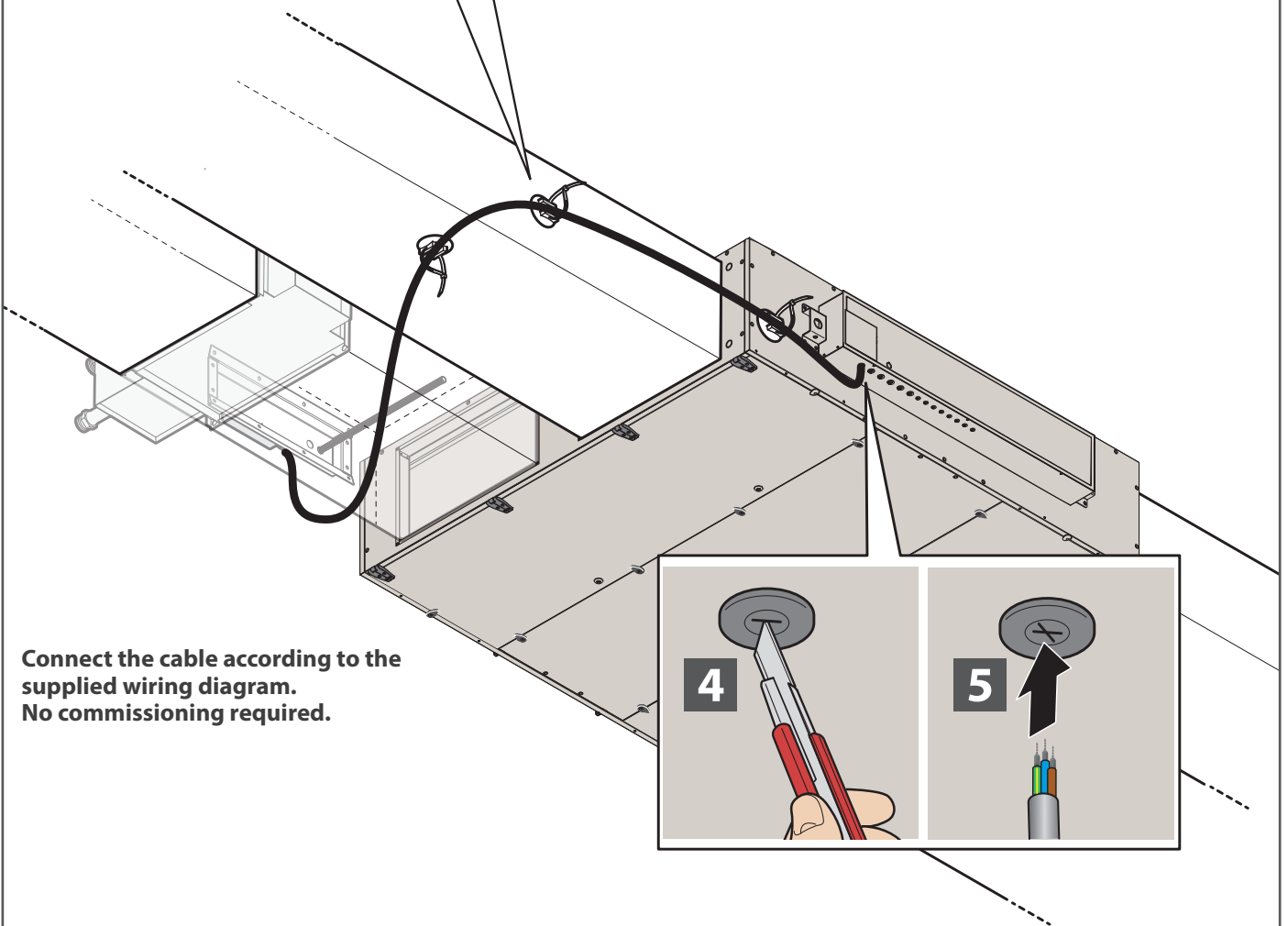
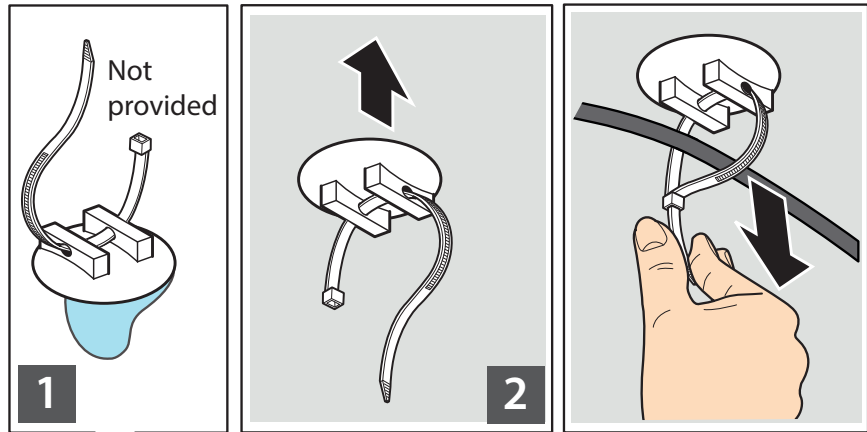


**11** Installation of frost switch (ALB\* unit)



**Connect to the red and blue terminal.  
The contact will close when the temperature drops.**

## 12 Wiring of the frost switch (ALB\* unit)



**13** Wiring of the frost switch (ALB\* unit)

**DAIKIN APPLIED EUROPE S.p.A.** Via Piani S. Maria, 72 - 00072 Ariccia (Rome) Italy - [www.daikinapplied.eu](http://www.daikinapplied.eu)

La presente pubblicazione è redatta solo come supporto tecnico e non costituisce impegno vincolante per Daikin Applied Europe S.p.A. Daikin Applied Europe S.p.A. ne ha compilato il contenuto al meglio delle proprie conoscenze. Nessuna esplicita o implicita garanzia è data per la completezza, precisione, affidabilità del suo contenuto. Tutti i dati e le specifiche in essa riportati sono soggetti a modifiche senza preavviso. Fanno fede i dati comunicati al momento dell'ordine. Daikin Applied Europe S.p.A. respinge esplicitamente qualsiasi responsabilità per qualsiasi danno diretto o indiretto, nel senso più ampio del termine, derivanti o connessi con l'uso e / o l'interpretazione di questa pubblicazione. Tutto il contenuto è protetto da copyright di Daikin Applied Europe S.p.A.

D-EIMOC2009-29\_01EN