



Installation manual

Digital Node Compact T

D-EIMOC2009-27_01EN

› Compact T

Original translations

REV	01
DATE	October 2024
REPLACES	D-EIMOC2009-27_00EN

1 Important warnings



The pictogram shows a situation of immediate danger or a dangerous situation that might cause injuries or death.



The pictogram shows that it is necessary to adopt suitable behaviour in order to avoid jeopardising staff safety and cause damages to the equipment.



The pictogram shows particularly important technical information that should be taken into consideration by the people installing or using the equipment.



Read this manual carefully before installation and keep it for any further future consultation by the various operators. Do not remove, tear out or rewrite any part of this manual.



Failure to follow these instructions may cause damage and injuries, even fatal, voids the warranty and relieves the Manufacturer of any liability.



All installation, assembly, electrical connections to the mains and ordinary/extraordinary maintenance must be performed **only by technicians complying with the legal requirements**, after turning off the unit and using personal protective equipment (i.e. gloves, protective goggles, etc.), in compliance with the regulations in force in the country the equipment is to be used in and the laws on safety in the workplace.



Installation, use or maintenance other than those specified in the manual may cause damage, injury or death, invalidate the warranty and relieve the Manufacturer of all liability.



Use protective clothing and suitable equipment while handling or installing the equipment, in order to prevent accidents and safeguard your own and other people's safety. Individuals not assigned to installation or maintenance are NOT allowed to stand or pass through the work area while the unit is assembled.



Before carrying out any installation, disconnect the equipment from the power supply and wait at least 120 seconds before carrying out any operation.

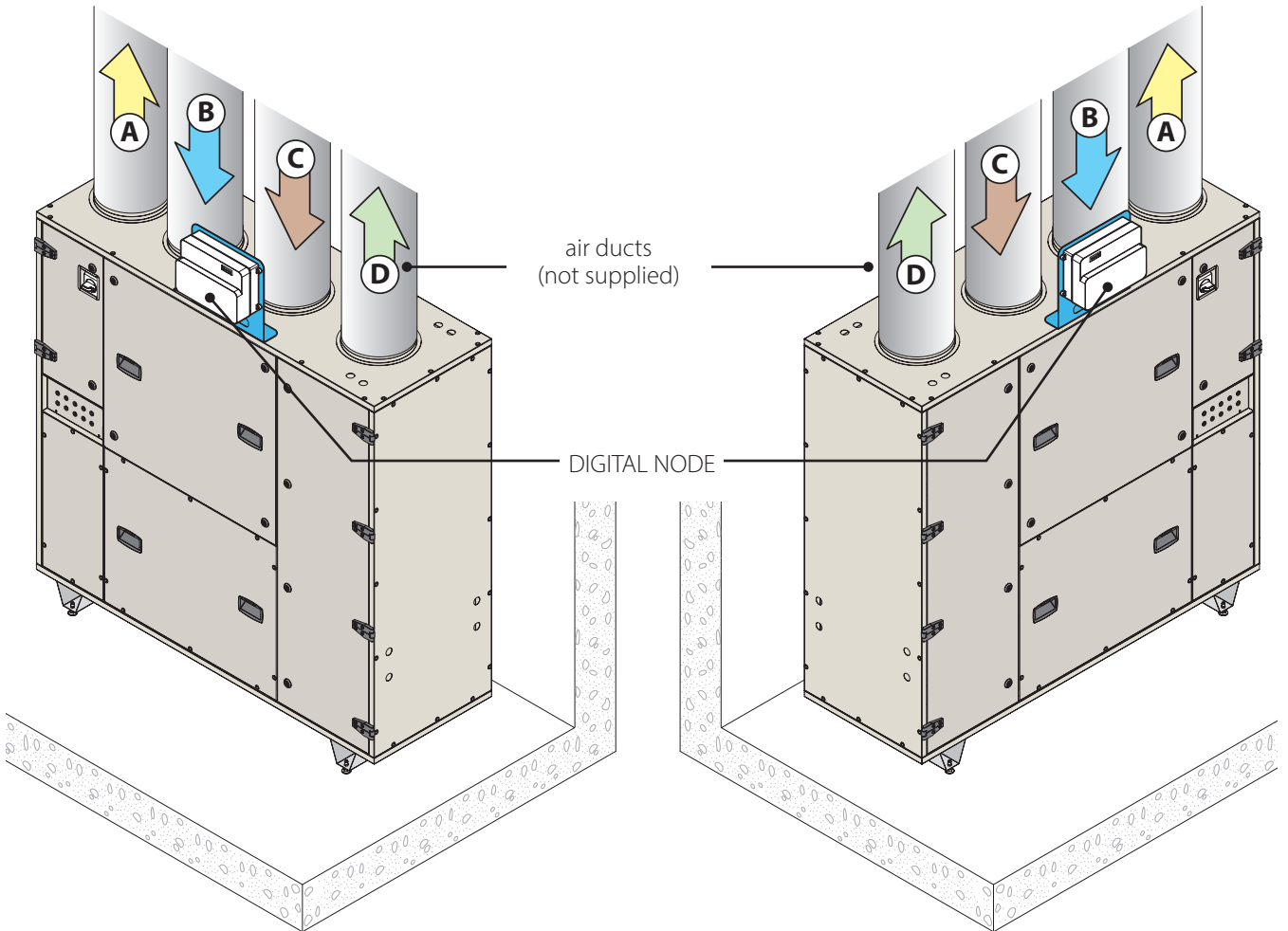


It is the responsibility of the user/installer to check the static and dynamic stability relative to the installation and to arrange environments so that **people who are not competent or authorised DO NOT have access to the unit or to its controls.**

2 Installation

Right Handling VERSION MACHINES ATB**R**

Left handling VERSION MACHINES ATB**L**

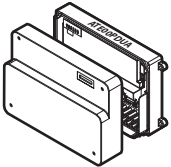

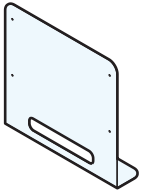





DUCT

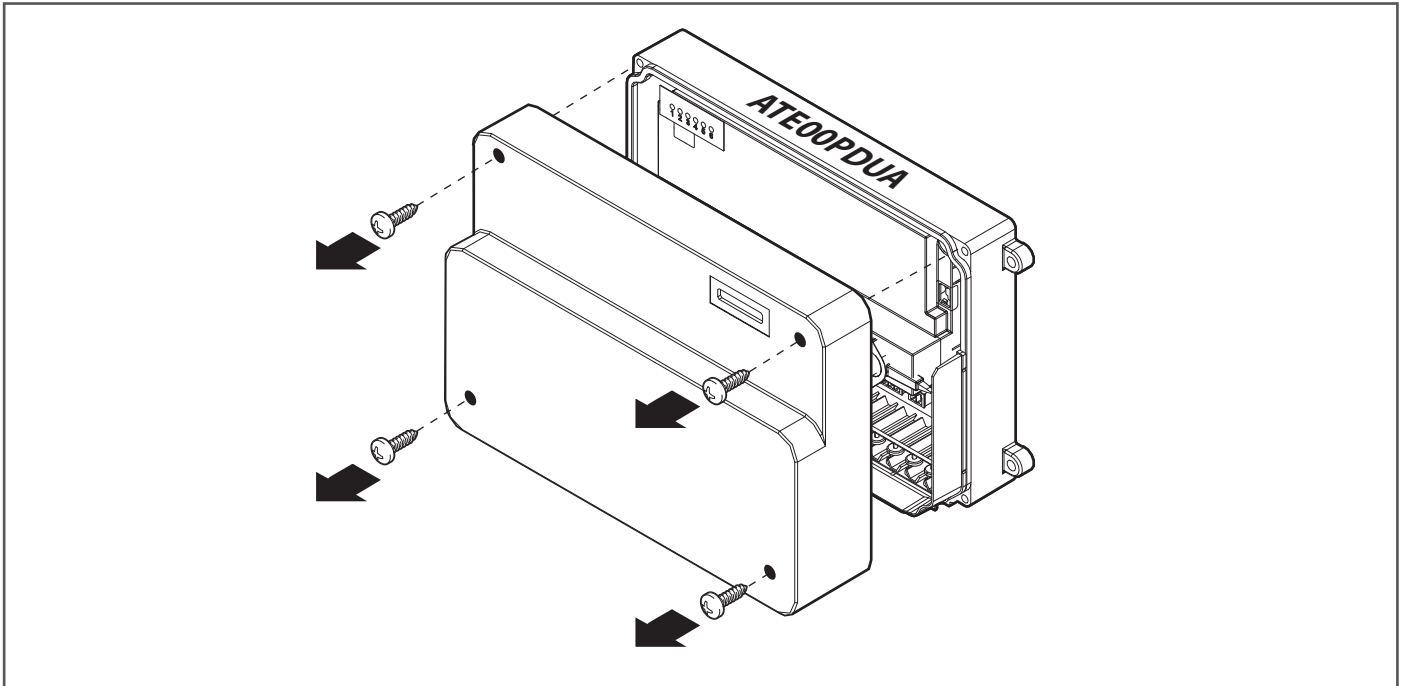
- A** Exhaust air
- B** Fresh air
- C** Return air
- D** Supply air

1 Box Digital Node position

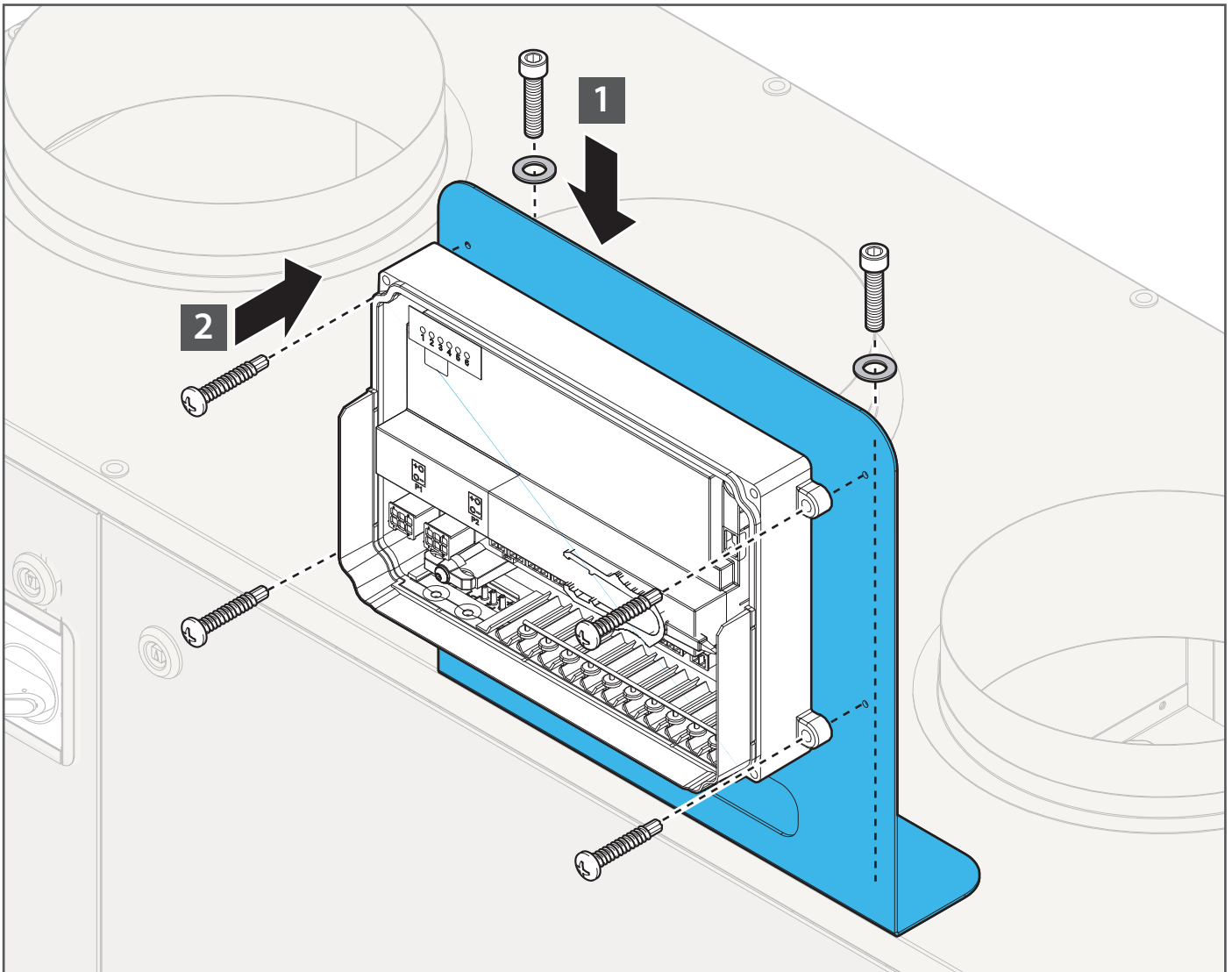
Components

	Component	Q.ty
	Digital Node	1
	Connector bus + power supply digital PCB QE	1
	Metal plate	1
	Washer 5x15x1.5	2
	8.8 Zinc plated full thread cap screw	2
	4,8x13 Drilling screw, round head with H recessed head	4

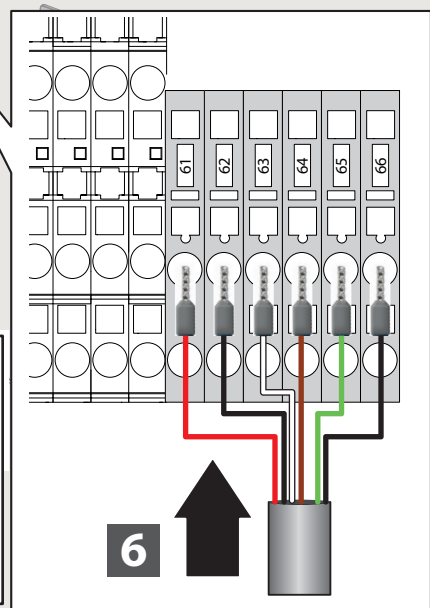
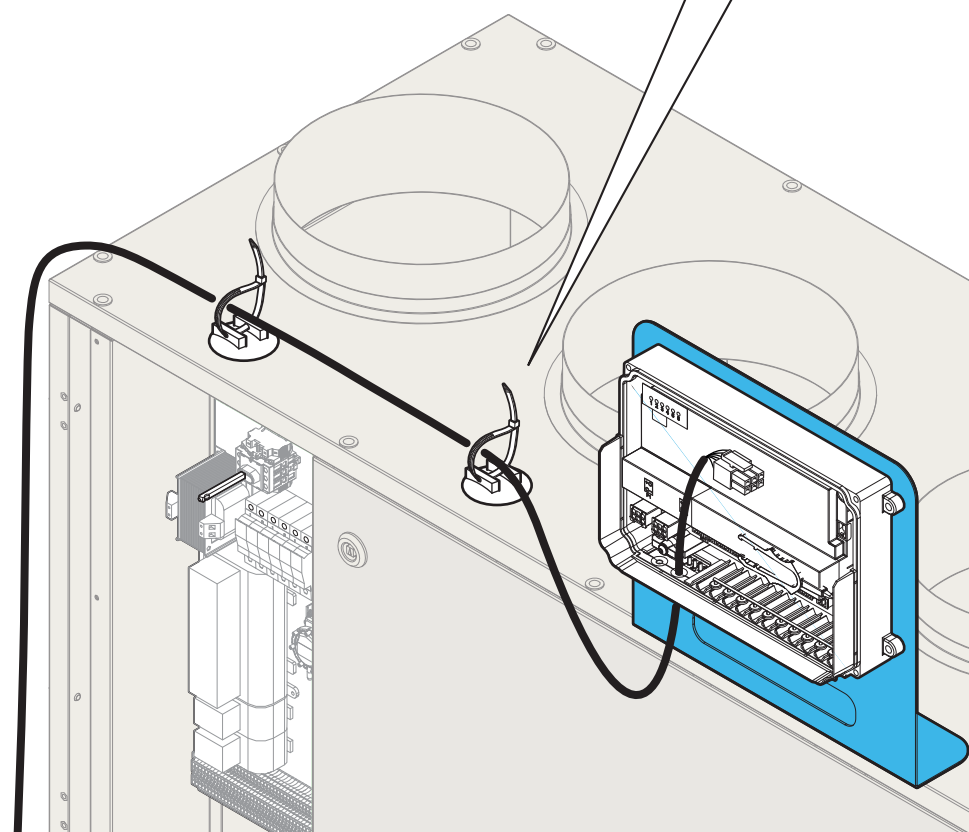
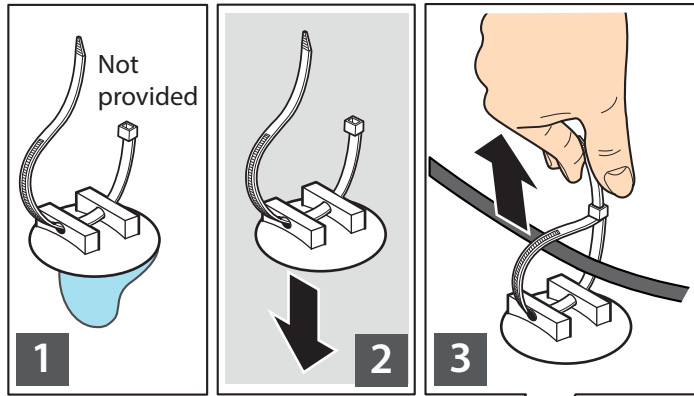
Box Digital Node mounting



2 Remove Box Digital Node cap

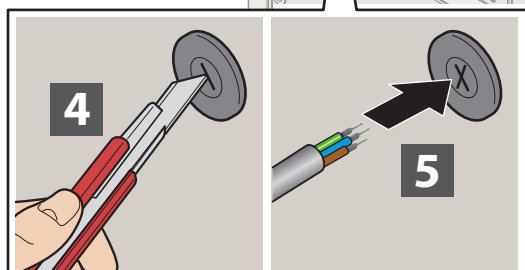


3 Mounting metal plate and Box Digital Node

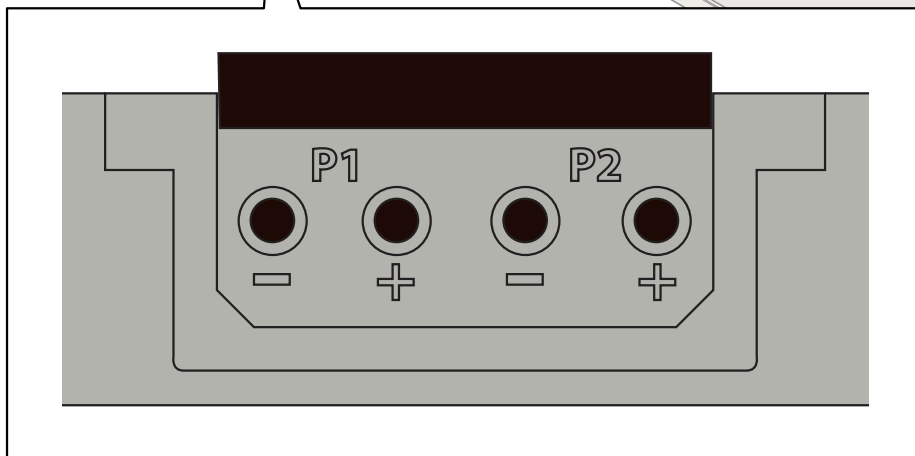
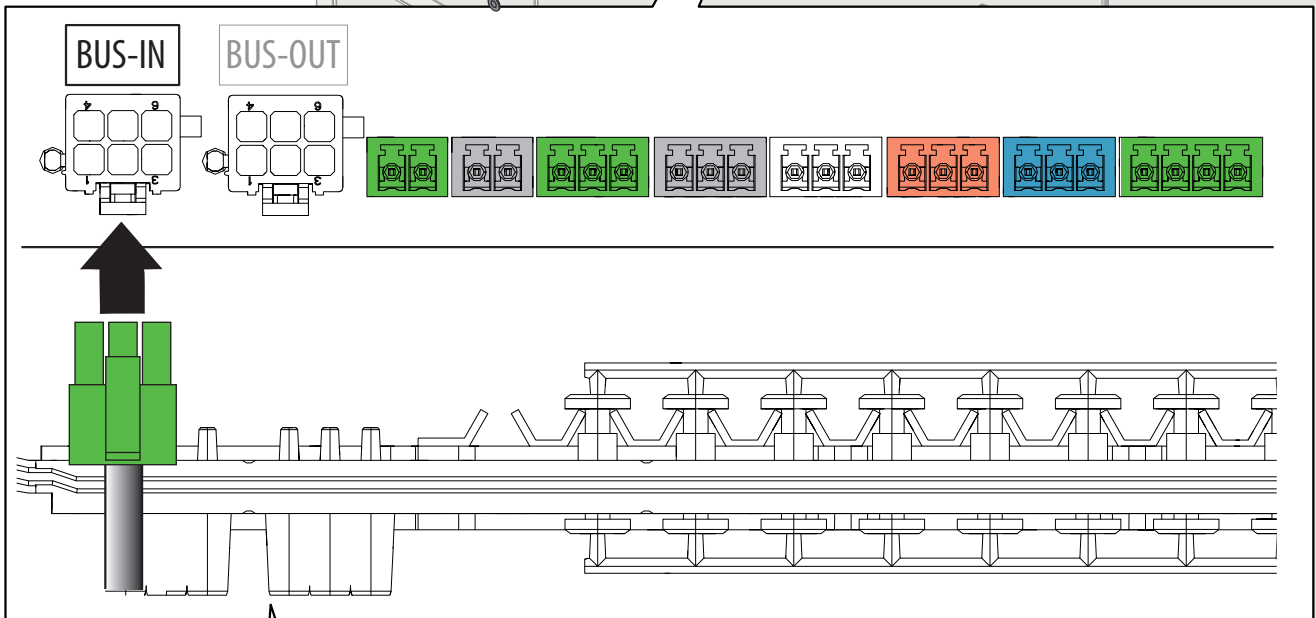
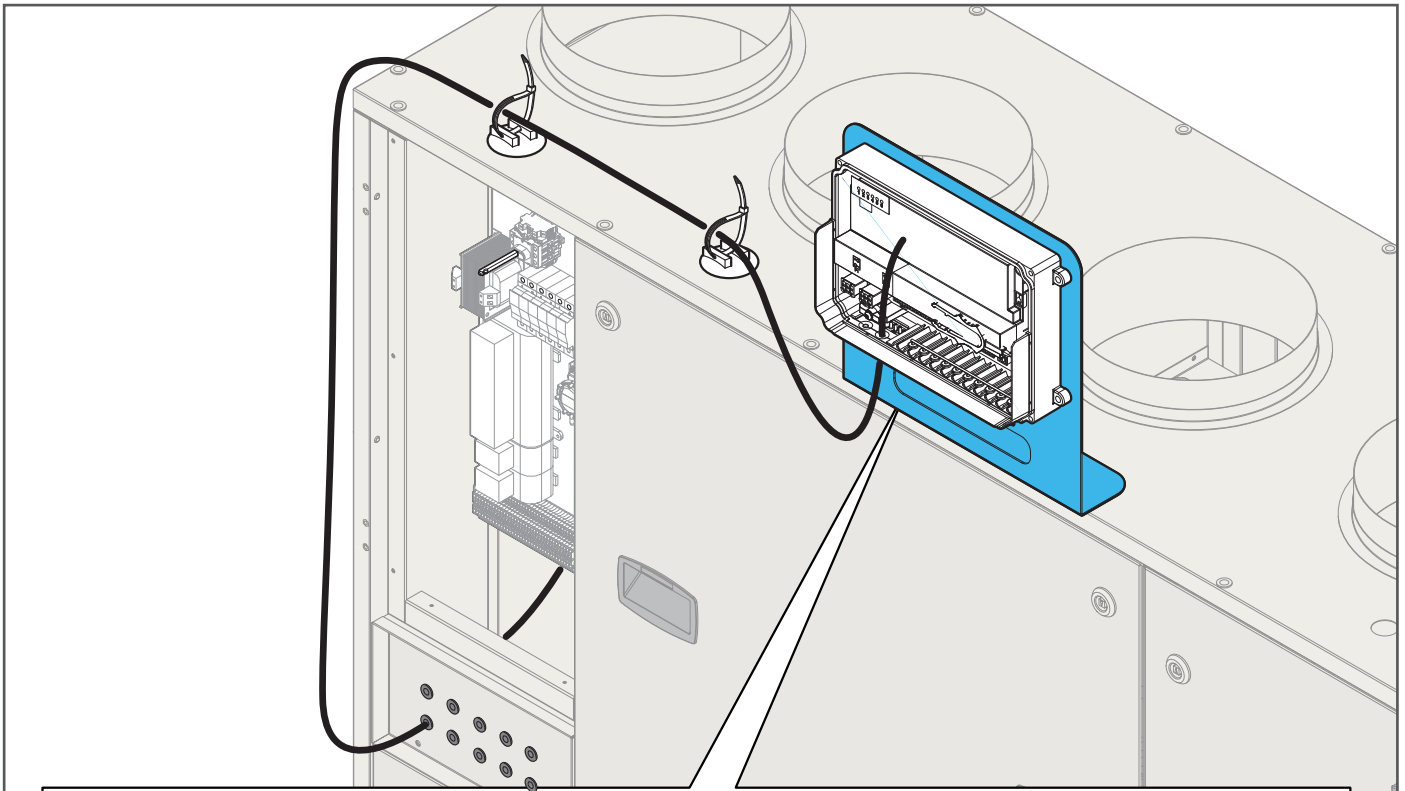


Connect according to the wiring diagram

Association of cables with terminal blocks:
 red-61
 black - 62
 white - 63
 brown-64
 green - 65
 black (shielding) - 66



4 Connect Box Digital Node



Position of pressure transducer P1 and P2

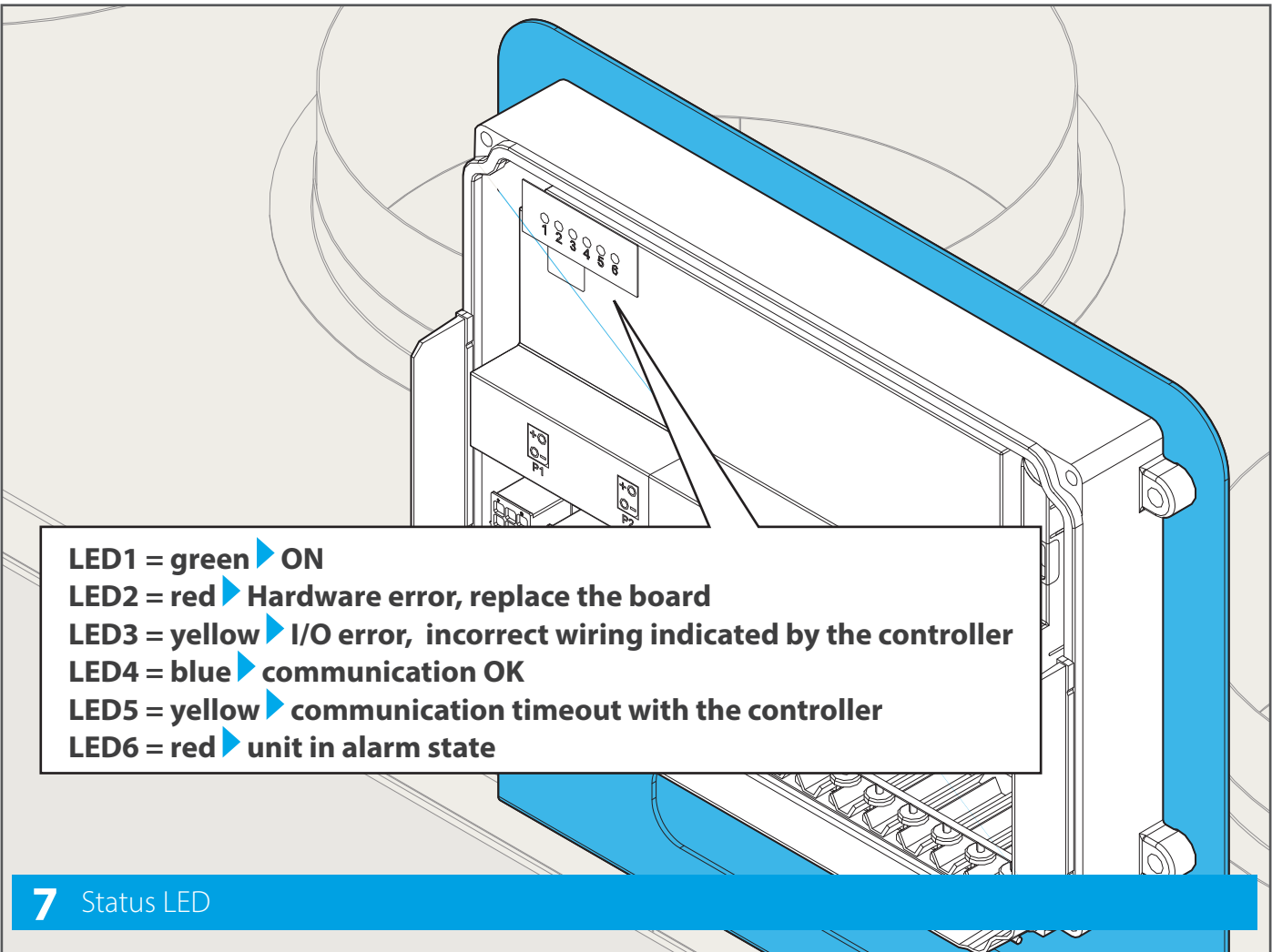
5 Connect Box Digital Node



1 Perform accessory wiring, if required

2

6 Repositioning Box Digital Node cap

- 
- LED1 = green** ▶ ON
LED2 = red ▶ Hardware error, replace the board
LED3 = yellow ▶ I/O error, incorrect wiring indicated by the controller
LED4 = blue ▶ communication OK
LED5 = yellow ▶ communication timeout with the controller
LED6 = red ▶ unit in alarm state

7 Status LED

DAIKIN APPLIED EUROPE S.p.A. Via Piani S. Maria, 72 - 00072 Ariccia (Rome) Italy - www.daikinapplied.eu

La presente pubblicazione è redatta solo come supporto tecnico e non costituisce impegno vincolante per Daikin Applied Europe S.p.A. Daikin Applied Europe S.p.A. ne ha compilato il contenuto al meglio delle proprie conoscenze. Nessuna esplicita o implicita garanzia è data per la completezza, precisione, affidabilità del suo contenuto. Tutti i dati e le specifiche in essa riportati sono soggetti a modifiche senza preavviso. Fanno fede i dati comunicati al momento dell'ordine. Daikin Applied Europe S.p.A. respinge esplicitamente qualsiasi responsabilità per qualsiasi danno diretto o indiretto, nel senso più ampio del termine, derivanti o connessi con l'uso e / o l'interpretazione di questa pubblicazione. Tutto il contenuto è protetto da copyright di Daikin Applied Europe S.p.A.

D-EIMOC2009-27_01EN