



Installation manual

# External damper Compact T

D-EIMOC2009-26\_01EN

› Compact T

**Original instructions**

REV	01
DATE	October 2024
REPLACES	D-EIMOC2009-26_01EN

# 1 Important warnings



The pictogram shows a situation of immediate danger or a dangerous situation that might cause injuries or death.



The pictogram shows that it is necessary to adopt suitable behaviour in order to avoid jeopardising staff safety and cause damages to the equipment.



The pictogram shows particularly important technical information that should be taken into consideration by the people installing or using the equipment.



Read this manual carefully before installation and keep it for any further future consultation by the various operators. Do not remove, tear out or rewrite any part of this manual.



**Failure to follow these instructions may cause damage and injuries, even fatal, voids the warranty and relieves the Manufacturer of any liability.**



All installation, assembly, electrical connections to the mains and ordinary/extraordinary maintenance must be performed **only by technicians complying with the legal requirements**, after turning off the unit and using personal protective equipment (i.e. gloves, protective goggles, etc.), in compliance with the regulations in force in the country the equipment is to be used in and the laws on safety in the workplace.



Installation, use or maintenance other than those specified in the manual may cause damage, injury or death, invalidate the warranty and relieve the Manufacturer of all liability.



Use protective clothing and suitable equipment while handling or installing the equipment, in order to prevent accidents and safeguard your own and other people's safety. Individuals not assigned to installation or maintenance are NOT allowed to stand or pass through the work area while the unit is assembled.



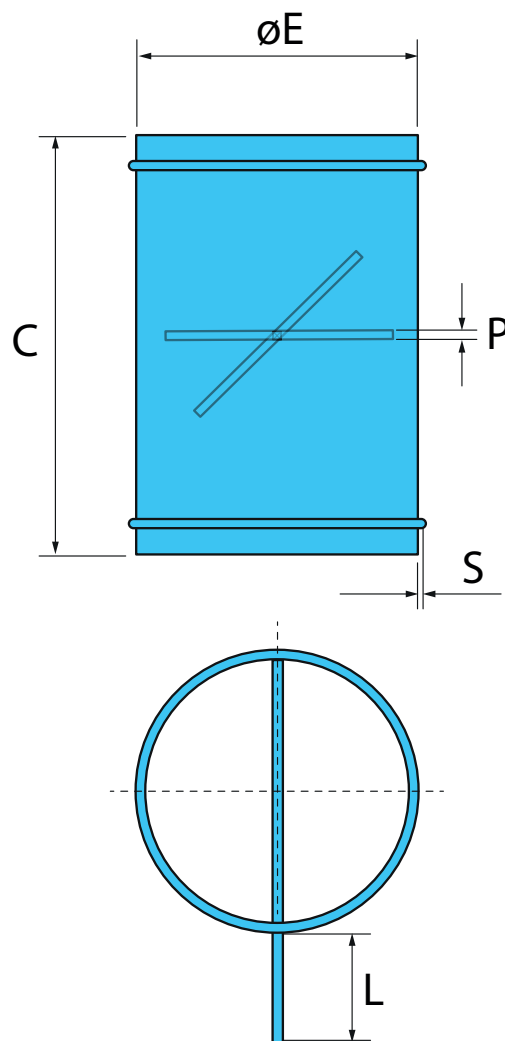
**Before carrying out any installation, disconnect the equipment from the power supply and wait at least 120 seconds before carrying out any operation.**



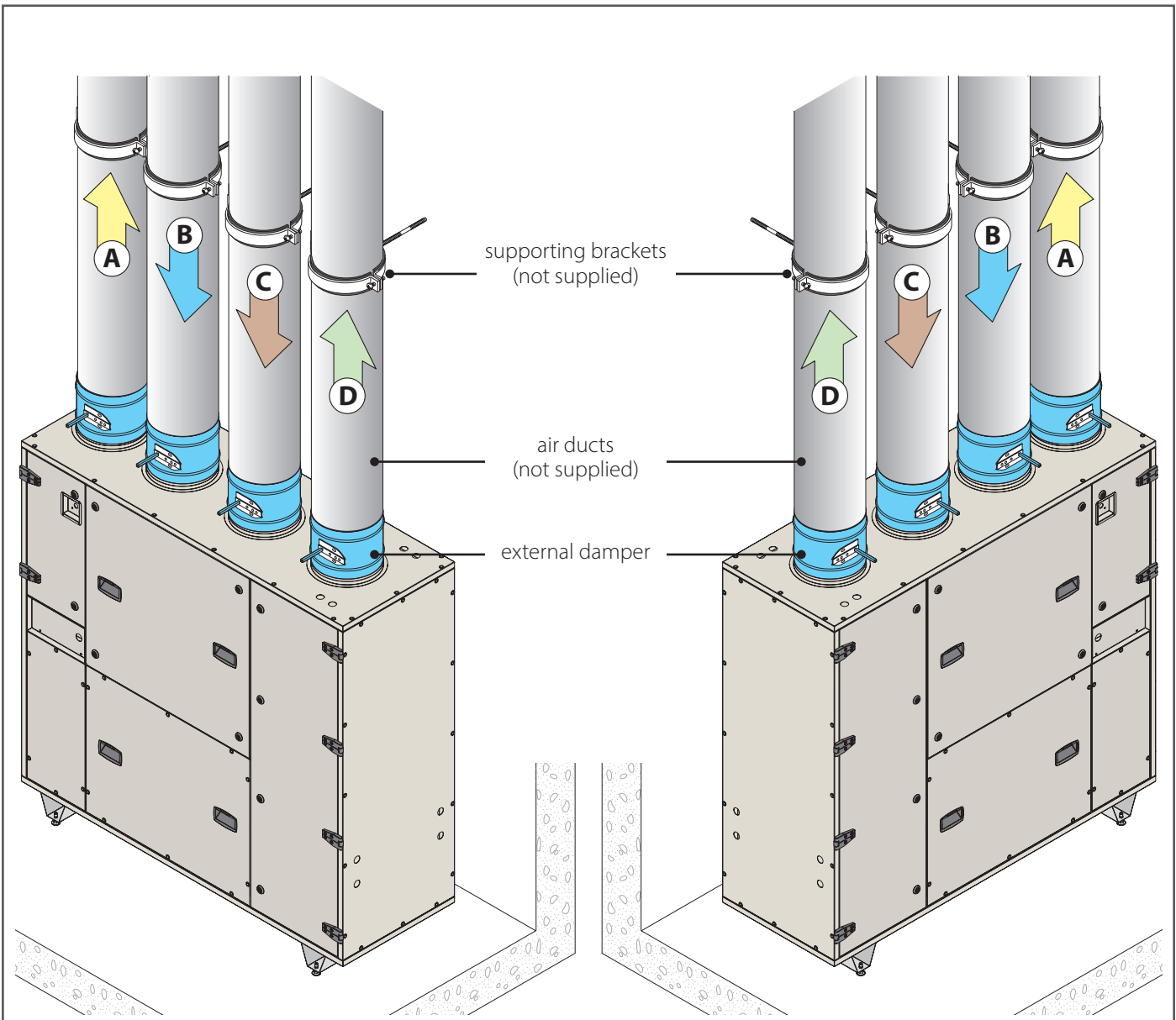
It is the responsibility of the user/installer to check the static and dynamic stability relative to the installation and to arrange environments so that **people who are not competent or authorised DO NOT have access to the unit or to its controls.**

## 2 Technical data

Size	Material name	Duct diameter $\varnothing E$ [mm]	C [mm]	S [mm]	P [mm]	L [mm]
03	ATA03EDA	250	200	0,8	0,8	60
04	ATA04EDA	315	300	1,0	1,2	100
05	ATA05EDA	355	300	1,0	1,5	100
06	ATA06EDA	400	400	1,2	1,5	100
07	ATA07EDA	500	400	1,2	1,5	100



# 3 Installation



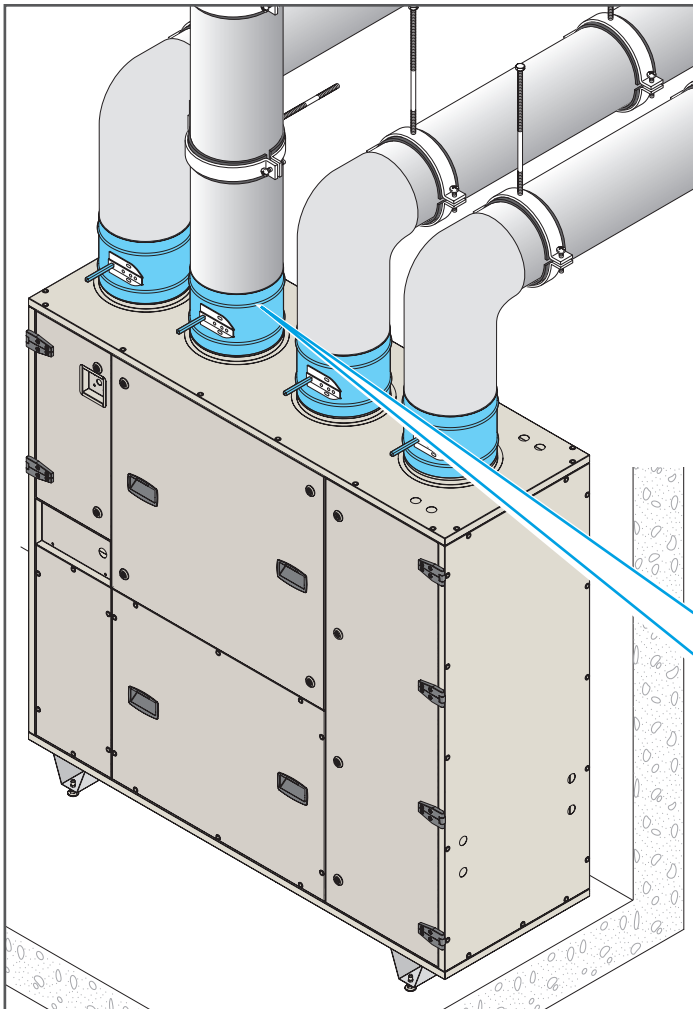
**Right Handling**  
VERSION MACHINES  
**ATB\*\*R\*\***

**Left handling**  
VERSION MACHINES  
**ATB\*\*L\*\***

**DUCT**

- A** Exhaust air
- B** Fresh air
- C** Return air
- D** Supply air

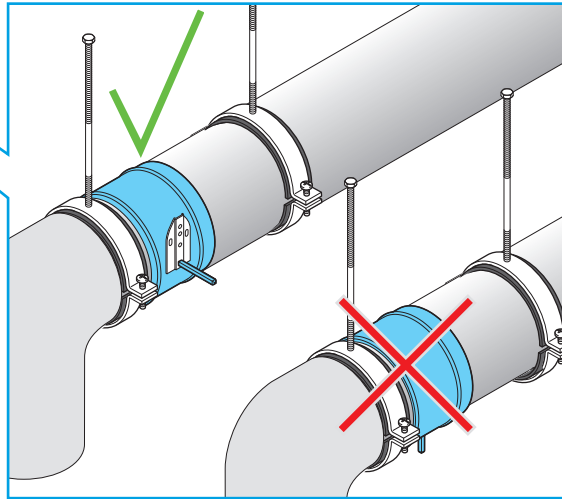
**1** Unit duct, example



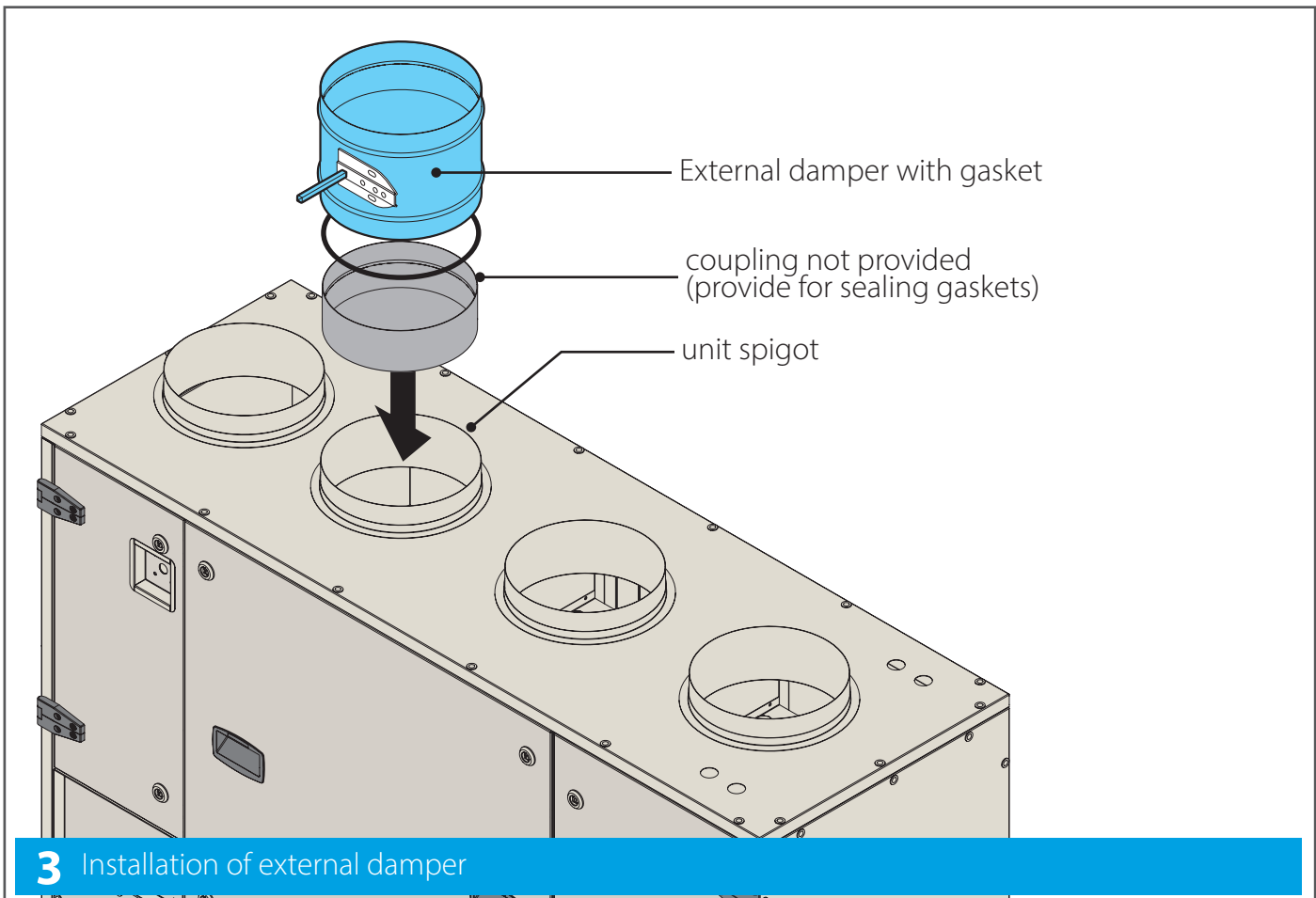
External damper can be positioned both **horizontally** and **vertically**.

The ducts and the external damper must be **permanently fixed to a fixed structure** (for example a wall or a ceiling) using brackets (not supplied).

External damper should be installed in such a way that it is accessible for maintenance or any other operation.



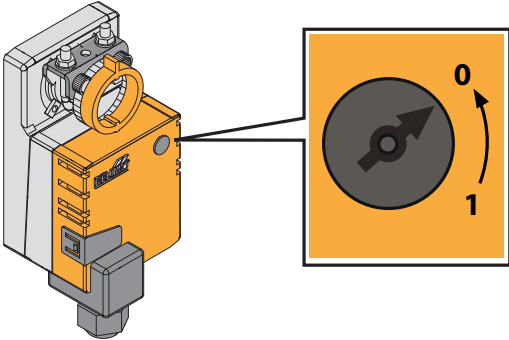
**2** Example of installation of the external damper both horizontally and vertically



**3** Installation of external damper

# 4 Connection of External Dampers

**ATE00AMDA** - Modulating Actuator  
**AUE00ASDA** - Spring Return Actuator



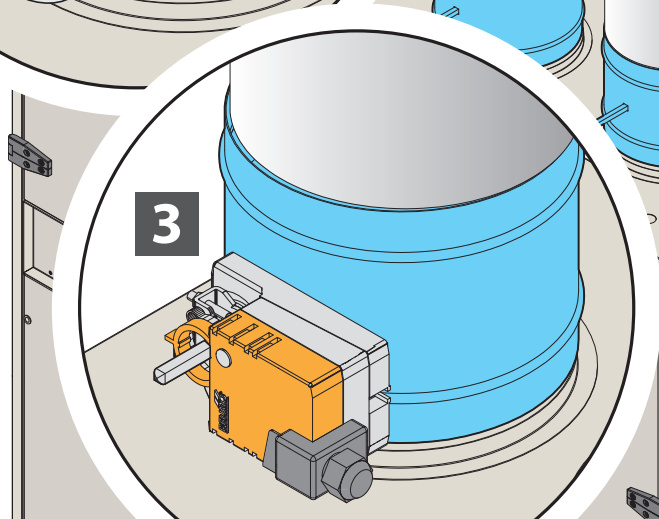
**1** Set the pointer to the "0" position.

Close the throttle valve

**2**

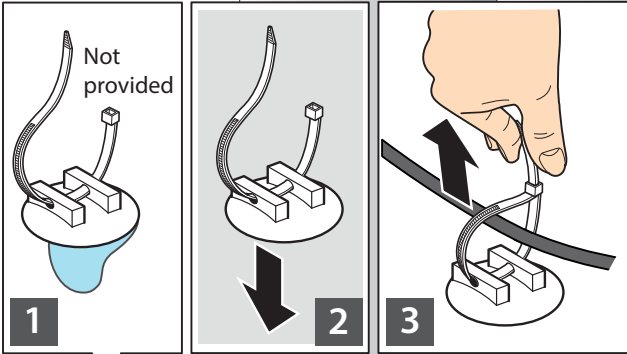


**3**

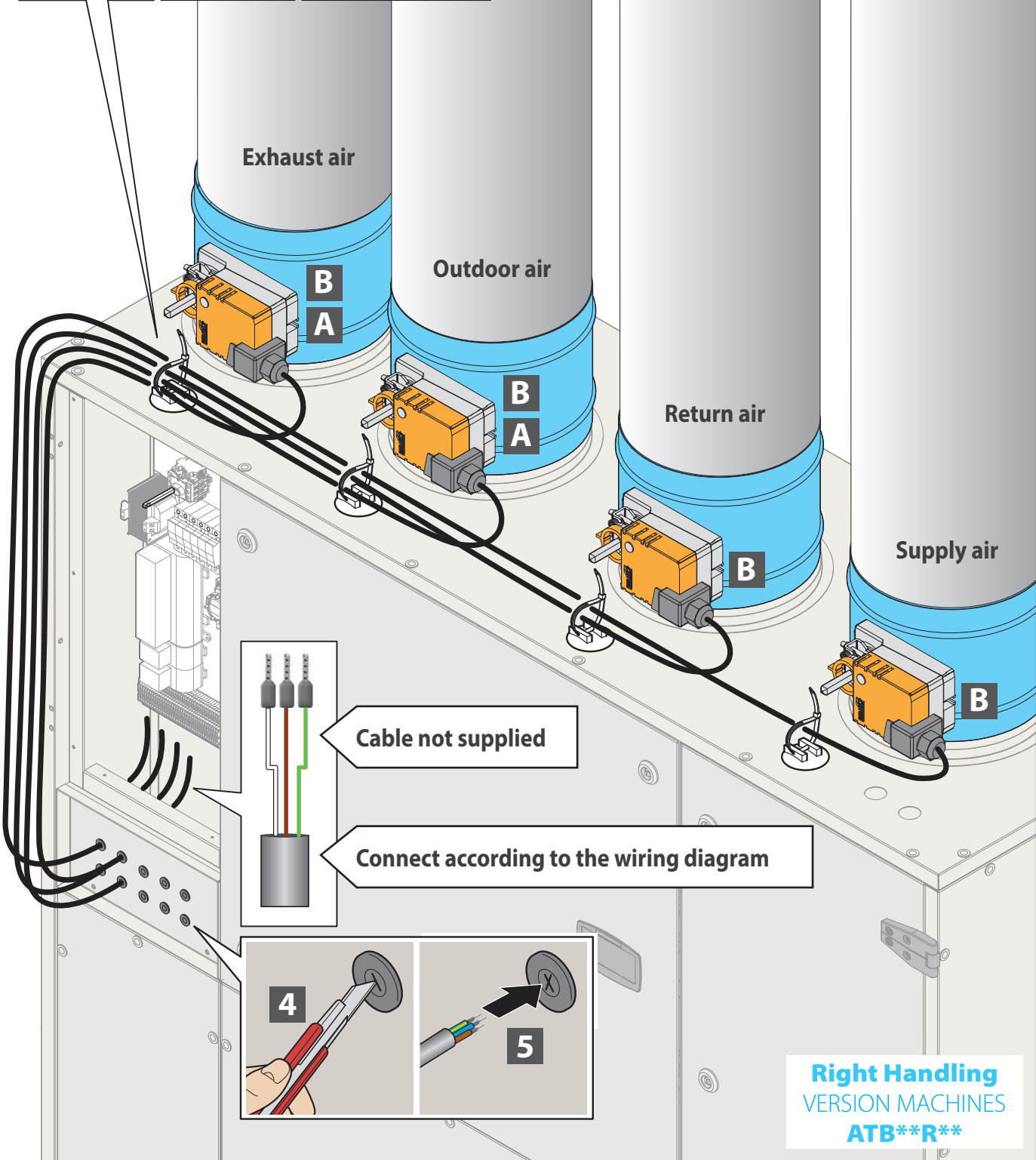


The actuator assembly instructions are contained in the actuator packaging.

**4** Installation of actuator



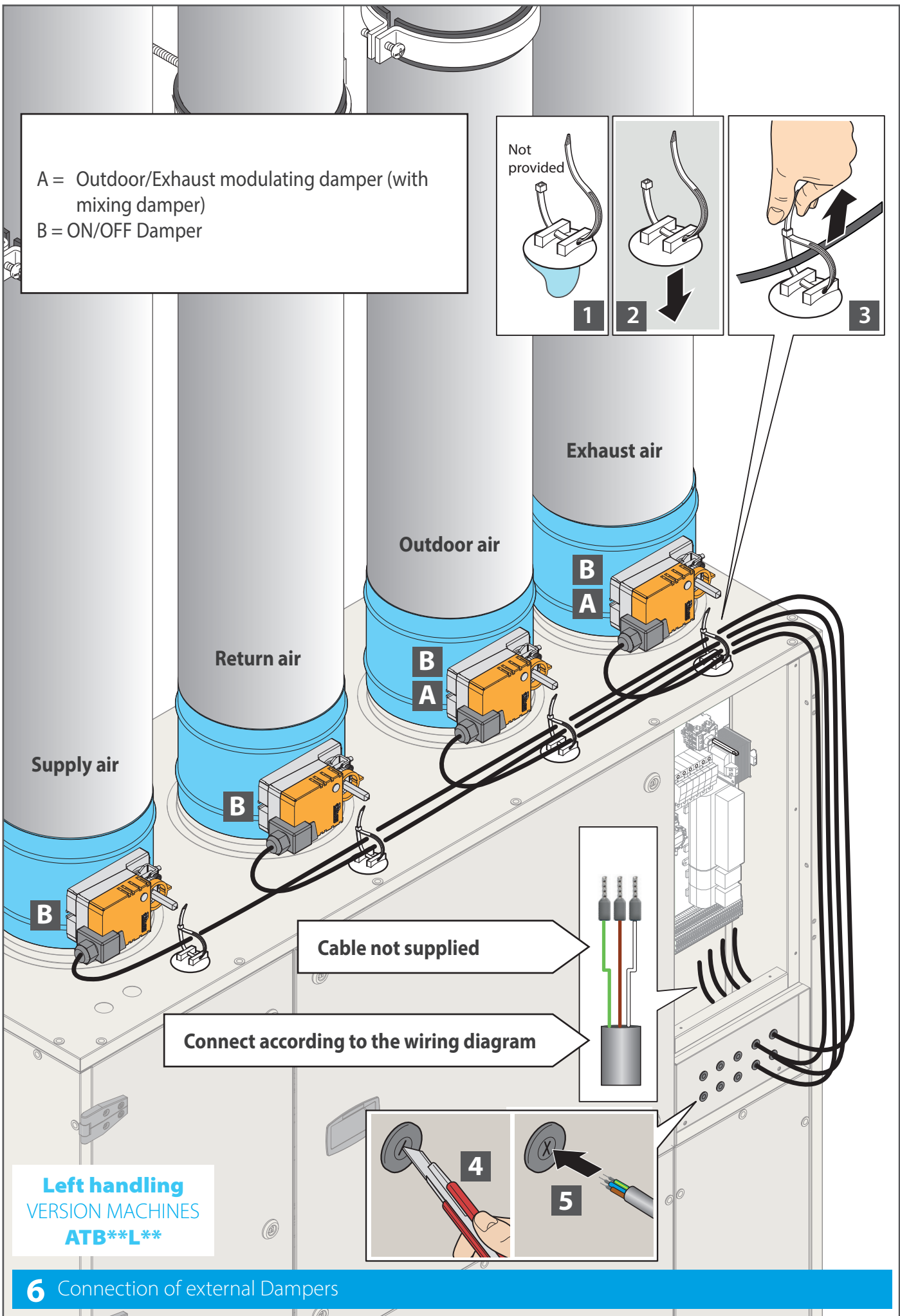
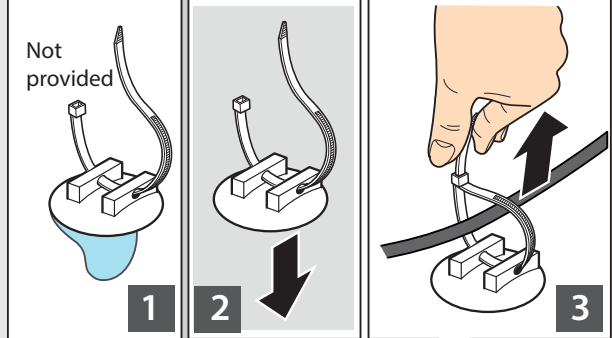
A = Outdoor/Exhaust modulating damper (with mixing damper)  
 B = ON/OFF Damper



**Right Handling**  
 VERSION MACHINES  
**ATB\*\*R\*\***

**5** Connection of external Dampers

A = Outdoor/Exhaust modulating damper (with mixing damper)  
B = ON/OFF Damper

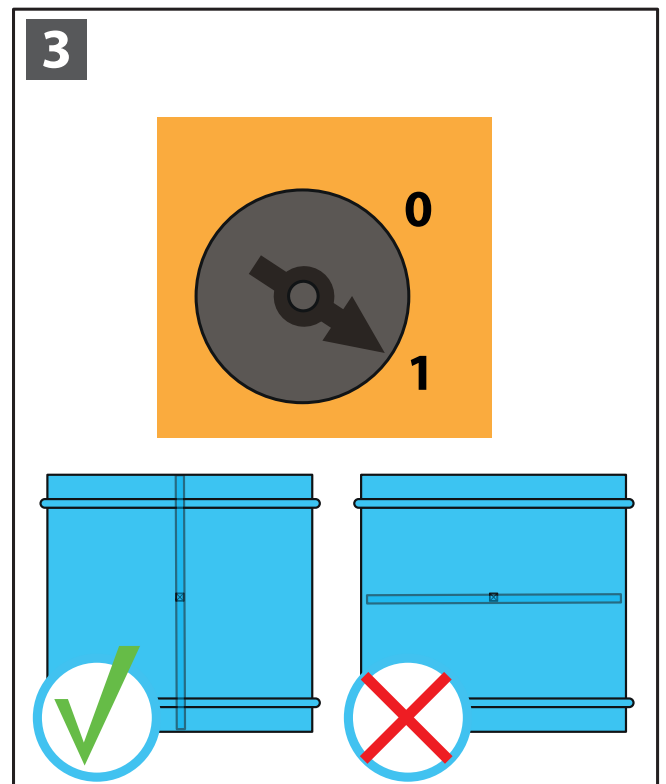
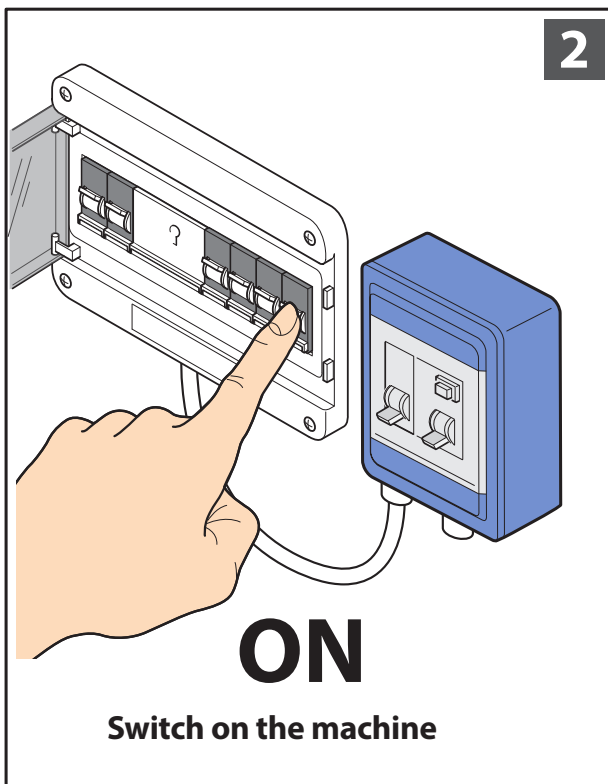
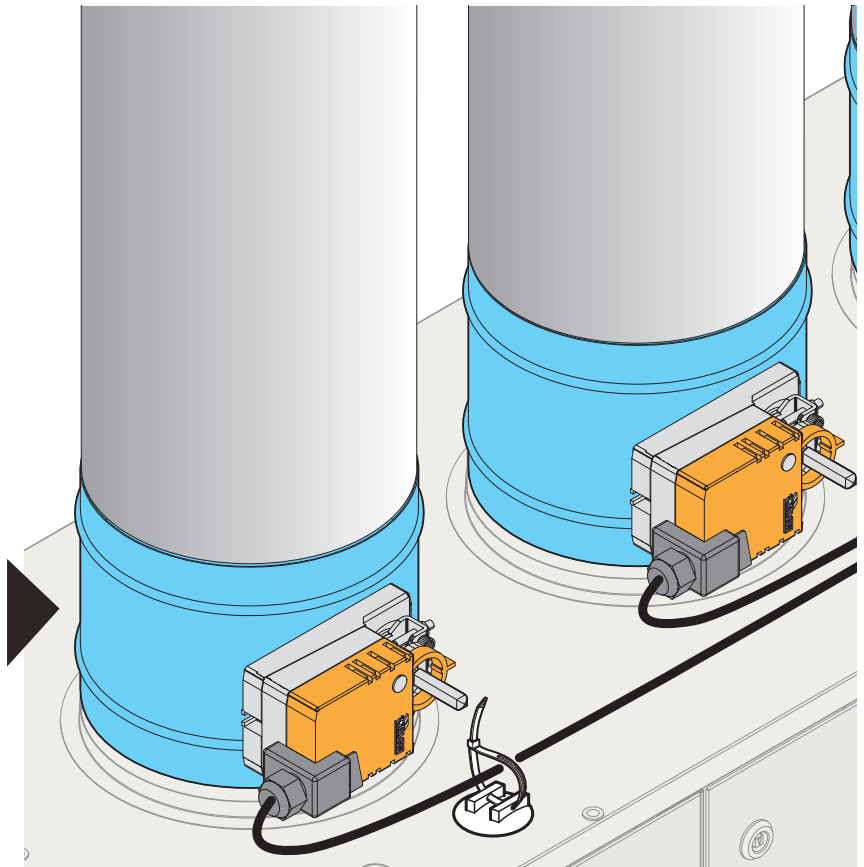
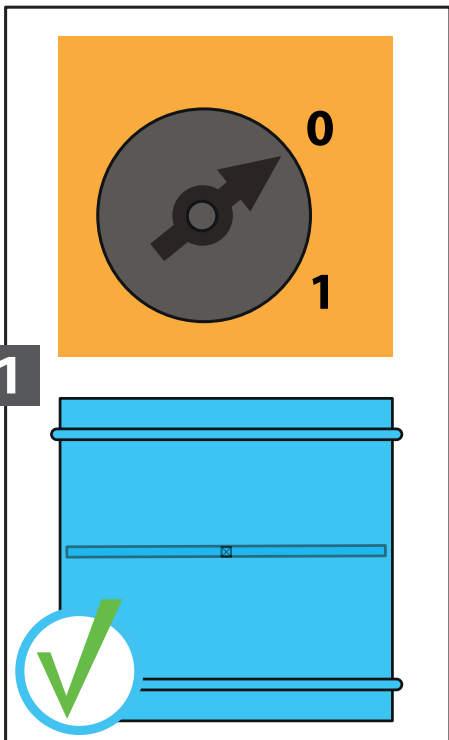


**Left handling**  
VERSION MACHINES  
**ATB\*\*L\*\***

## 6 Connection of external Dampers



# 5 Testing procedure | ON/OFF damper.

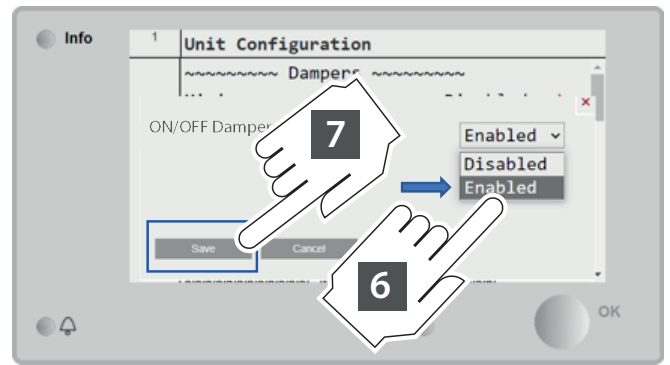
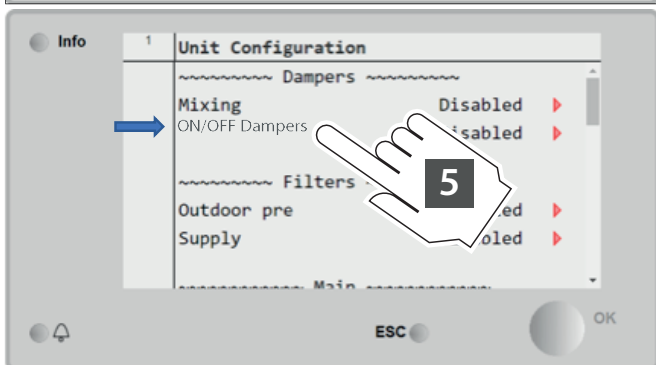
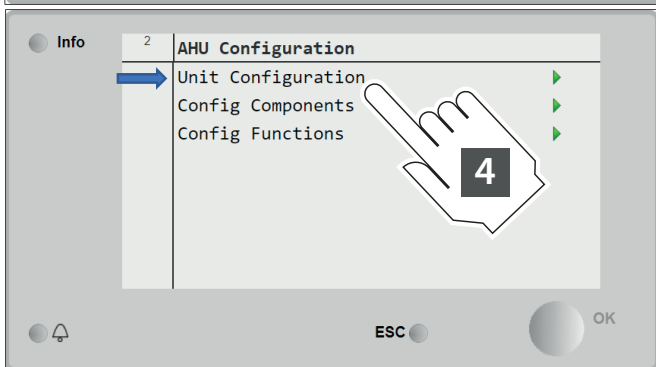
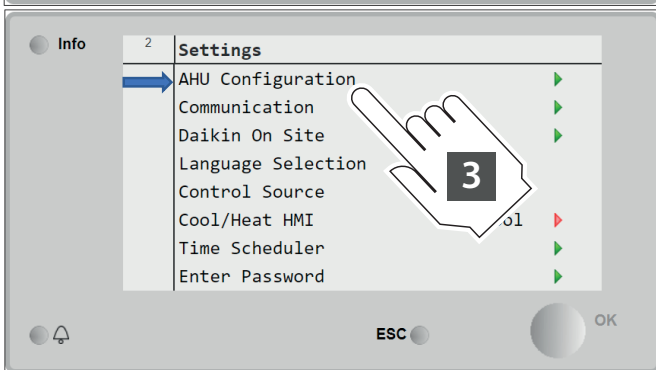
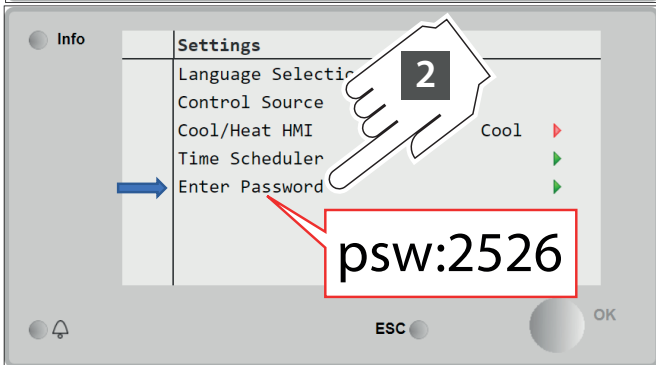
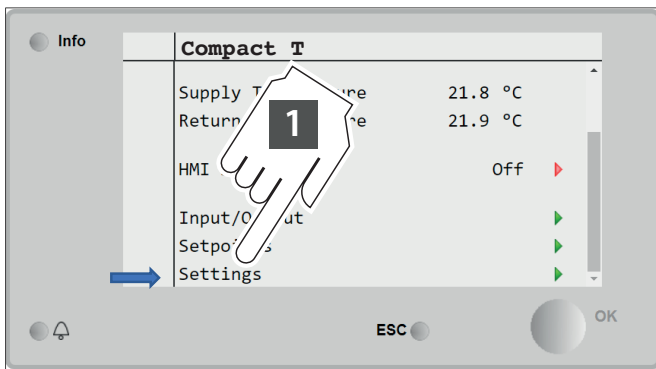


 **WARNING!** Internal parts of the machine under voltage

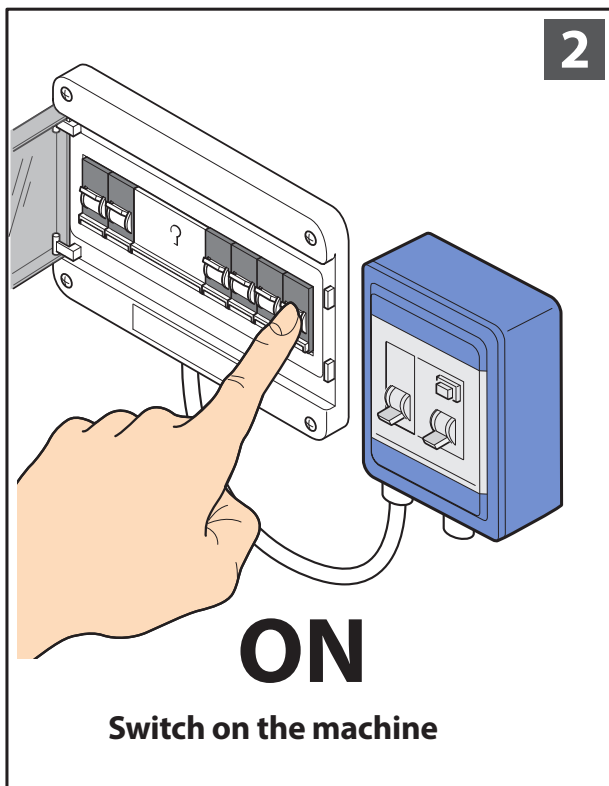
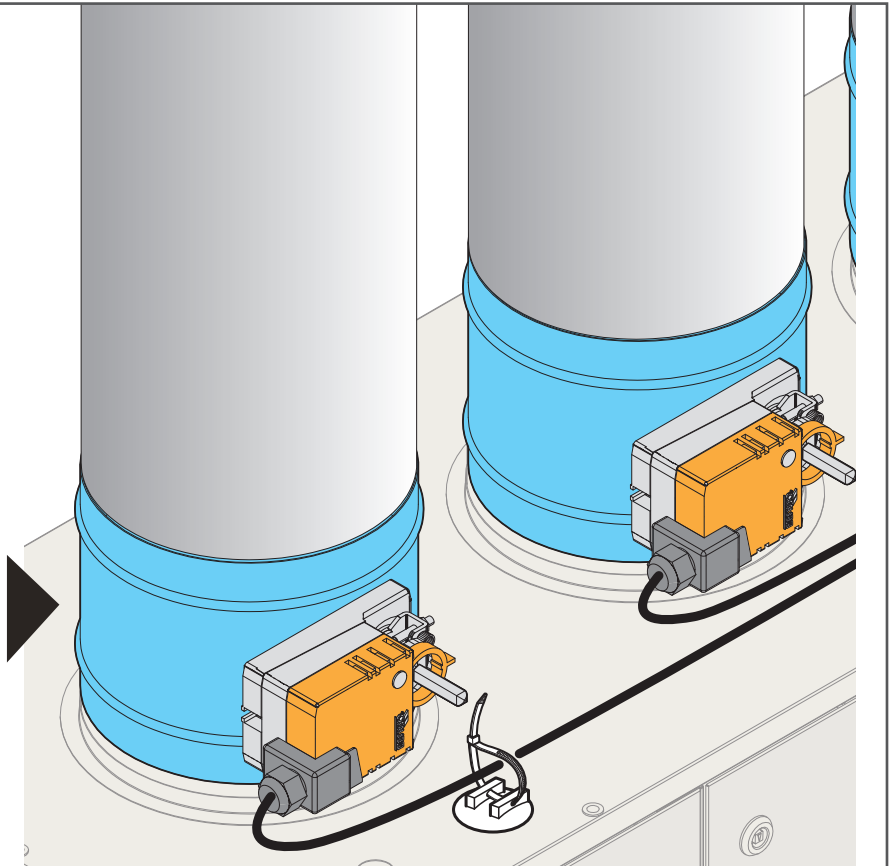
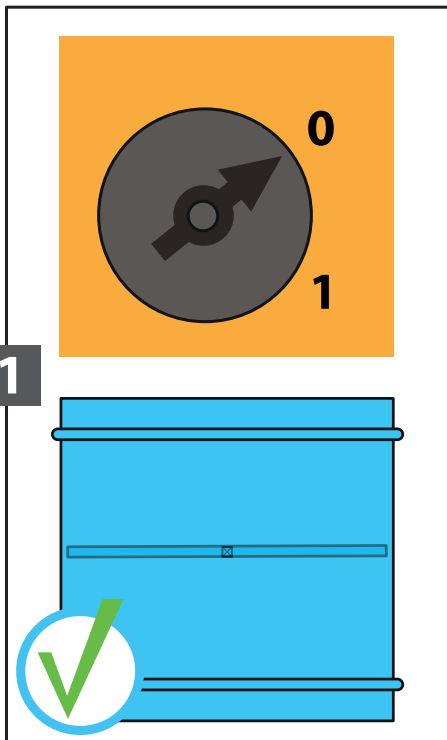
**Check if the flap moves until full open position. If not, check the actuator's wiring connection**

# Software setup

Commissioning module ALC00895A is required.



# 5 Testing procedure | Outdoor and exhaust damper when mixing damper is installed inside the unit



**WARNING!** Internal parts of the machine under voltage

**3**

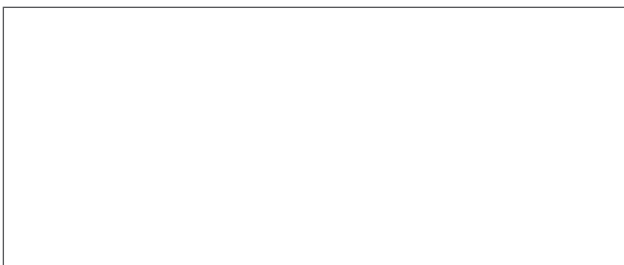
**Check if the throttle valve state is complementary to Mixing Damper state.**

**For example:**

- throttle valve open and Mixing Damper closed= correct
- throttle valve open at 30% and Mixing Damper open at 70%= correct
- throttle valve open and Mixing Damper open= NOT correct
- throttle valve open at 30% and Mixing Damper open at 30%= NOT correct

Commissioning is already done when the mixing damper is configured, according to the Mixing damper manual **D-EIMOC2009-25**.

**DAIKIN APPLIED EUROPE S.p.A.** Via Piani S. Maria, 72 - 00072 Ariccia (Rome) Italy - [www.daikinapplied.eu](http://www.daikinapplied.eu)



La presente pubblicazione è redatta solo come supporto tecnico e non costituisce impegno vincolante per Daikin Applied Europe S.p.A. Daikin Applied Europe S.p.A. ne ha compilato il contenuto al meglio delle proprie conoscenze. Nessuna esplicita o implicita garanzia è data per la completezza, precisione, affidabilità del suo contenuto. Tutti i dati e le specifiche in essa riportati sono soggetti a modifiche senza preavviso. Fanno fede i dati comunicati al momento dell'ordine. Daikin Applied Europe S.p.A. respinge esplicitamente qualsiasi responsabilità per qualsiasi danno diretto o indiretto, nel senso più ampio del termine, derivanti o connessi con l'uso e / o l'interpretazione di questa pubblicazione. Tutto il contenuto è protetto da copyright di Daikin Applied Europe S.p.A.

D-EIMOC2009-26\_01EN