



Installation manual

# Mixing damper Compact T

D-EIMOC2009-25\_01EN

› Compact T

Original translations

REV	01
DATE	October 2024
REPLACES	D-EIMOC2009-25_00EN

# 1 Important warnings



The pictogram shows a situation of immediate danger or a dangerous situation that might cause injuries or death.



The pictogram shows that it is necessary to adopt suitable behaviour in order to avoid jeopardising staff safety and cause damages to the equipment.



The pictogram shows particularly important technical information that should be taken into consideration by the people installing or using the equipment.



Read this manual carefully before installation and keep it for any further future consultation by the various operators. Do not remove, tear out or rewrite any part of this manual.



**Failure to follow these instructions may cause damage and injuries, even fatal, voids the warranty and relieves the Manufacturer of any liability.**



All installation, assembly, electrical connections to the mains and ordinary/extraordinary maintenance must be performed **only by technicians complying with the legal requirements**, after turning off the unit and using personal protective equipment (i.e. gloves, protective goggles, etc.), in compliance with the regulations in force in the country the equipment is to be used in and the laws on safety in the workplace.



Installation, use or maintenance other than those specified in the manual may cause damage, injury or death, invalidate the warranty and relieve the Manufacturer of all liability.



Use protective clothing and suitable equipment while handling or installing the equipment, in order to prevent accidents and safeguard your own and other people's safety. Individuals not assigned to installation or maintenance are NOT allowed to stand or pass through the work area while the unit is assembled.



**Before carrying out any installation, disconnect the equipment from the power supply and wait at least 120 seconds before carrying out any operation.**

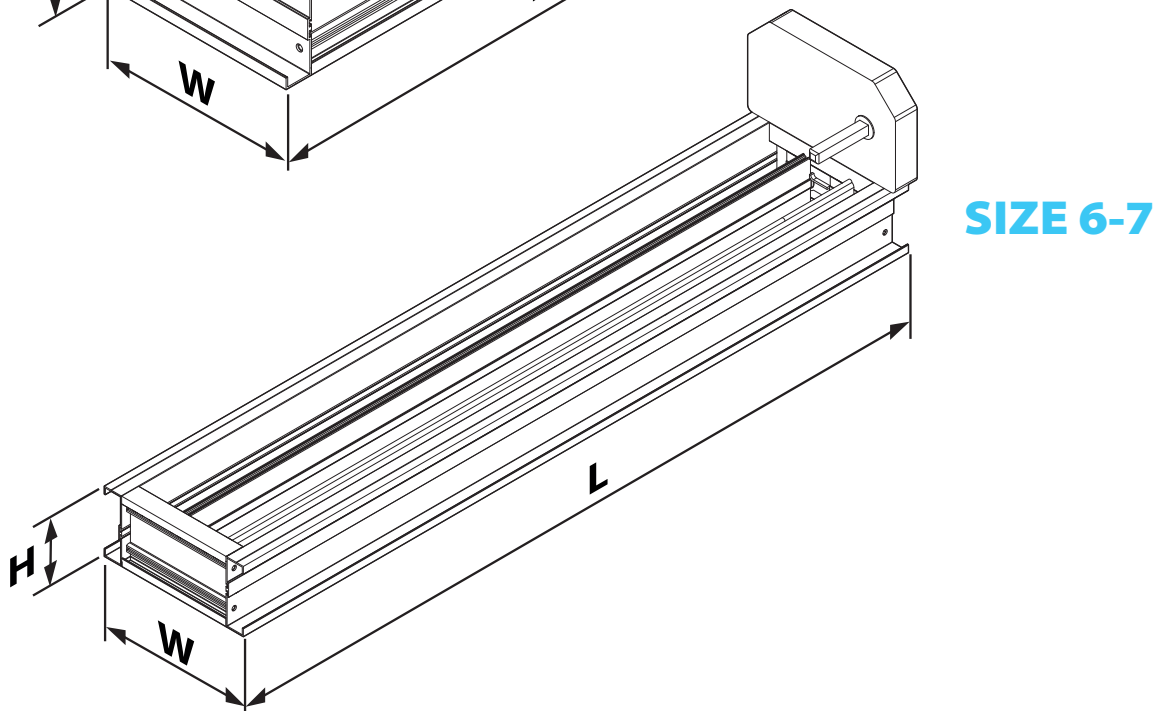
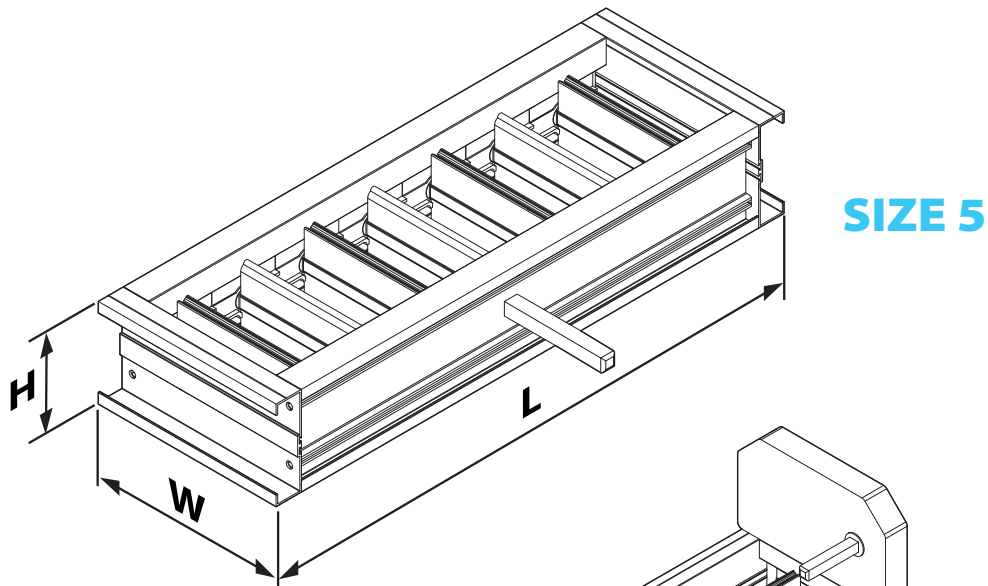


It is the responsibility of the user/installer to check the static and dynamic stability relative to the installation and to arrange environments so that **people who are not competent or authorised DO NOT have access to the unit or to its controls.**

## 2 Technical data

### Mixing damper

Size	Material name	H [mm]	L [mm]	W [mm]	WEIGHT [kg]
05	ATA05MDA	73	550	130	3
06	ATA06MDA	73	690	170	3
07	ATA07MDA	73	790	170	3

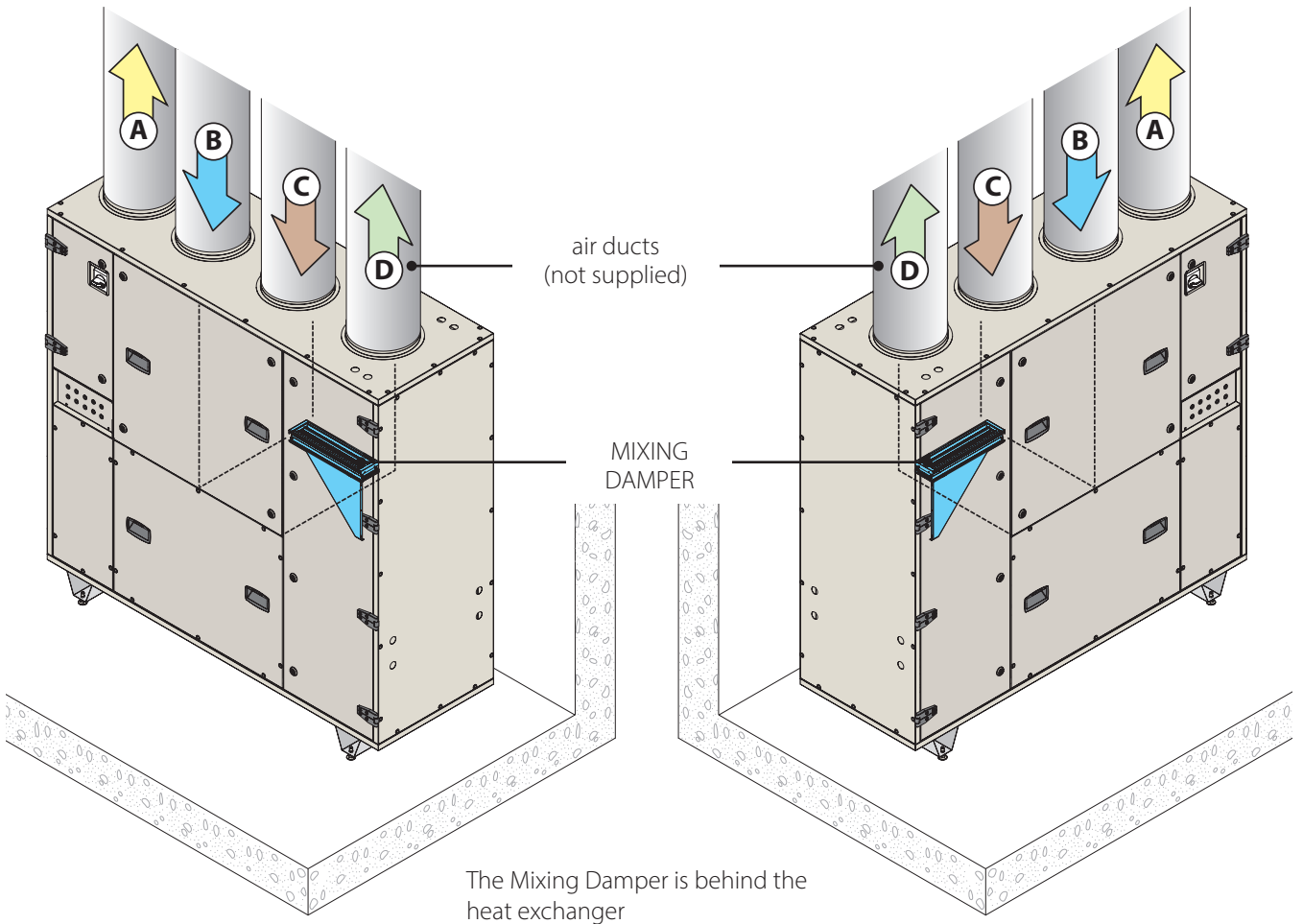


# 3 Installation

**Right Handling**  
VERSION MACHINES  
**ATB\*\*R\*\***

**Left handling**  
VERSION MACHINES  
**ATB\*\*L\*\***

**SIZE 5**



**DUCT**

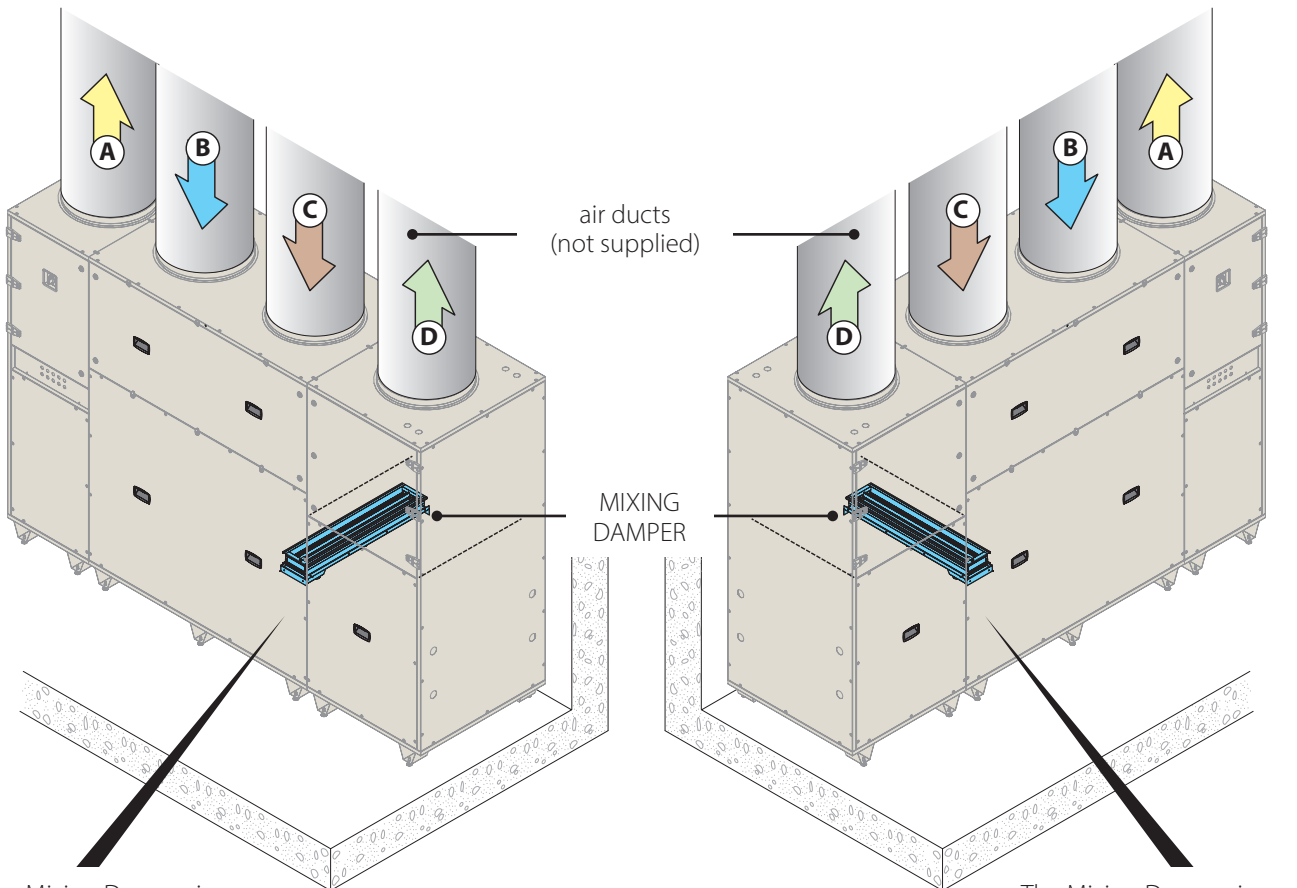
- A** Exhaust air
- B** Fresh air
- C** Return air
- D** Supply air

**1** Mixing damper position | **SIZE 5**

**Right Handling**  
VERSION MACHINES  
**ATB\*\*R\*\***

**Left handling**  
VERSION MACHINES  
**ATB\*\*L\*\***

**SIZE 6-7**



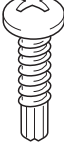
The Mixing Damper is on the right side of the heat exchanger

The Mixing Damper is on the left side of the heat exchanger

**DUCT**

- A** Exhaust air
- B** Fresh air
- C** Return air
- D** Supply air

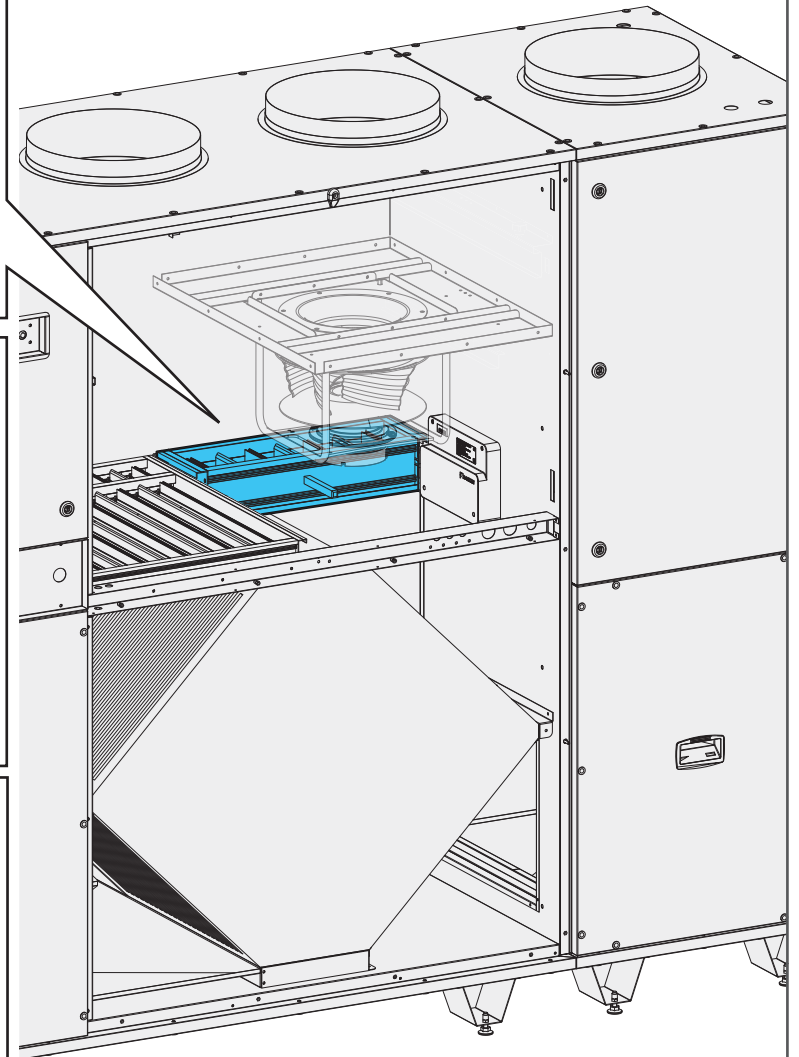
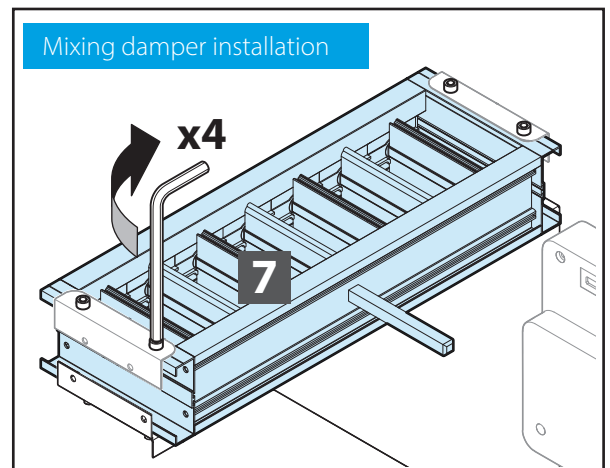
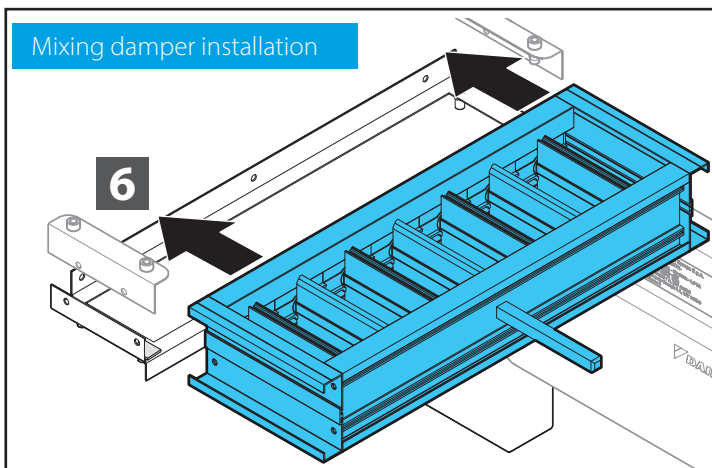
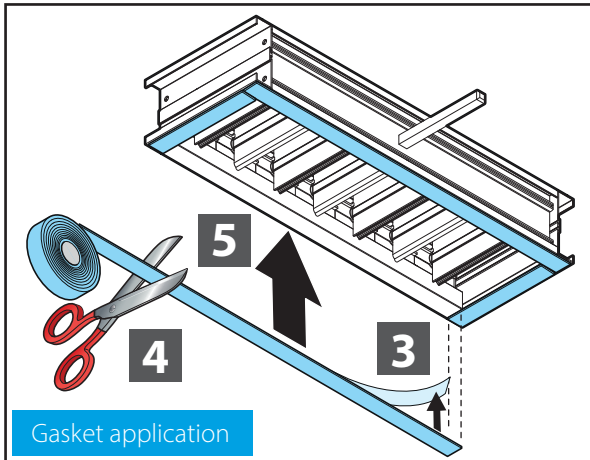
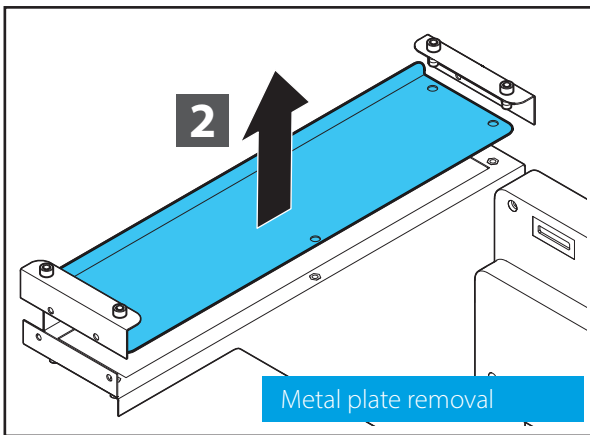
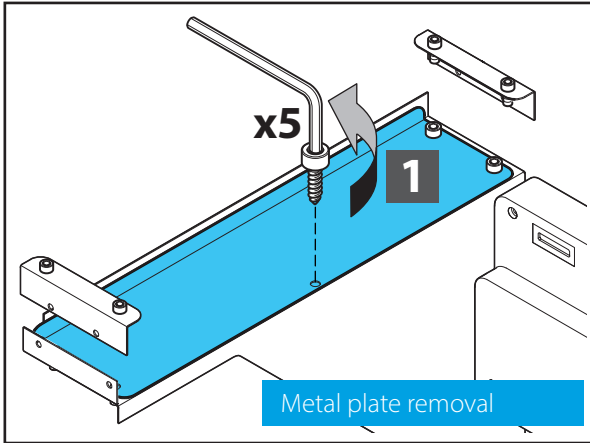
# Components

Component		size 05	size 06	size 07
	Gasket	1500mm	1500mm	1500mm
	4.8x19 drilling screw round head with H recessed head	-	6 pieces	
 size 06-07	Mixing Damper			
 size 05				

**NOTE: the actuator cod. ATE00AMDA is NOT included**

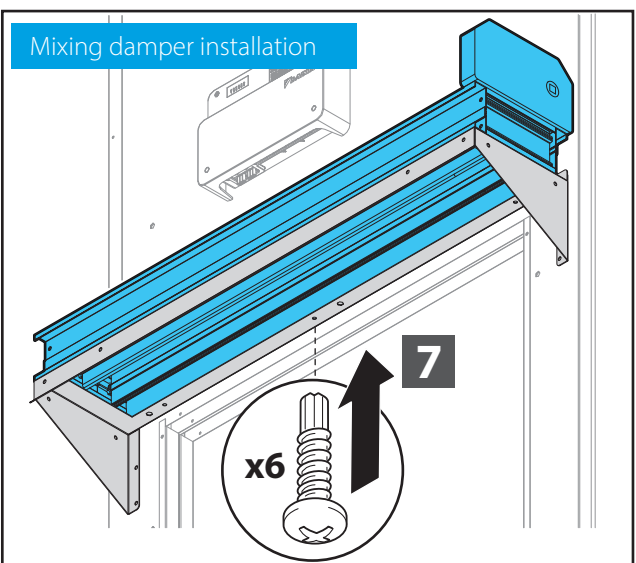
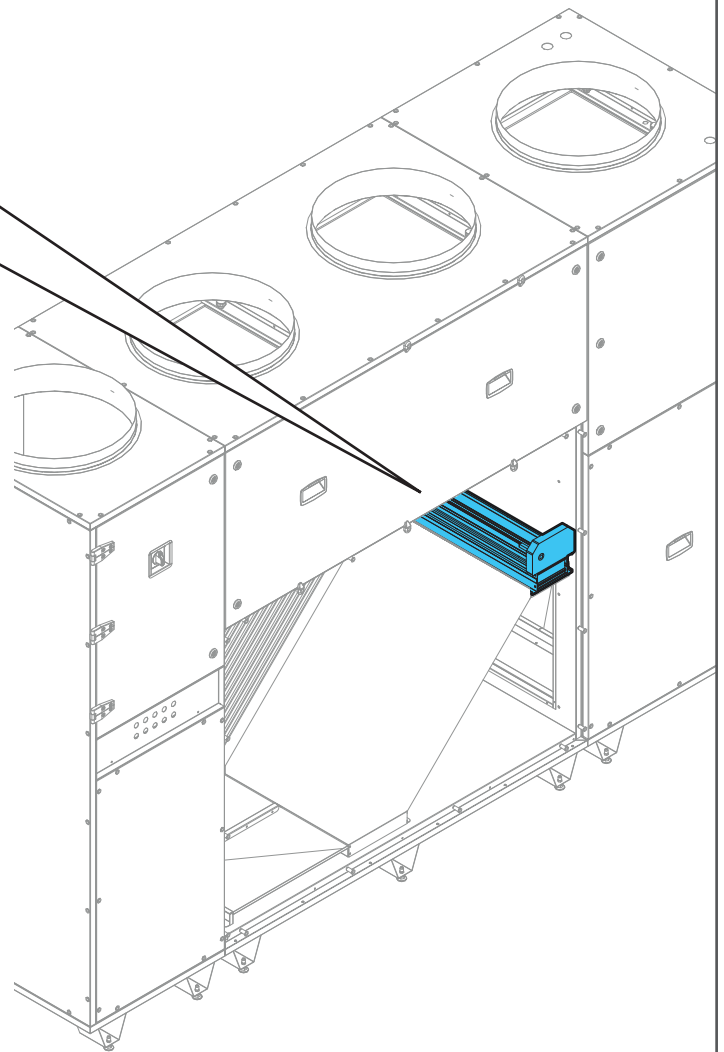
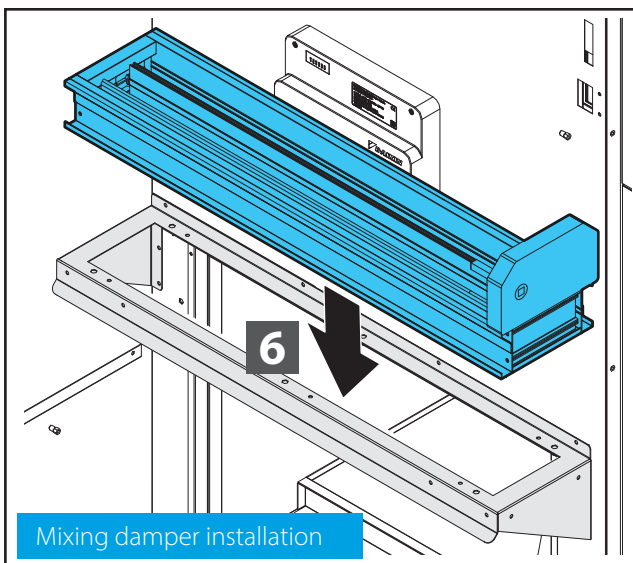
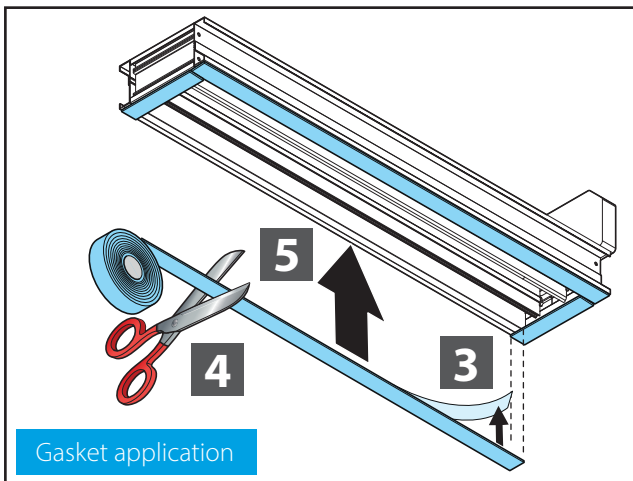
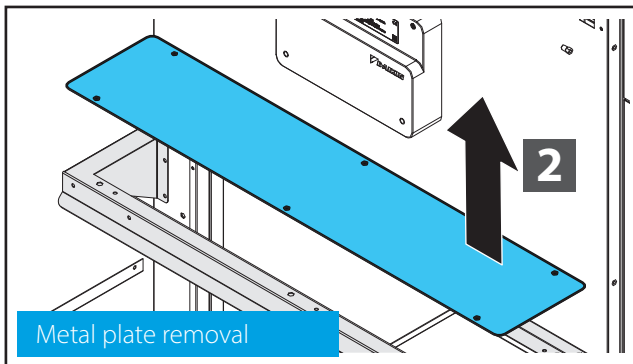
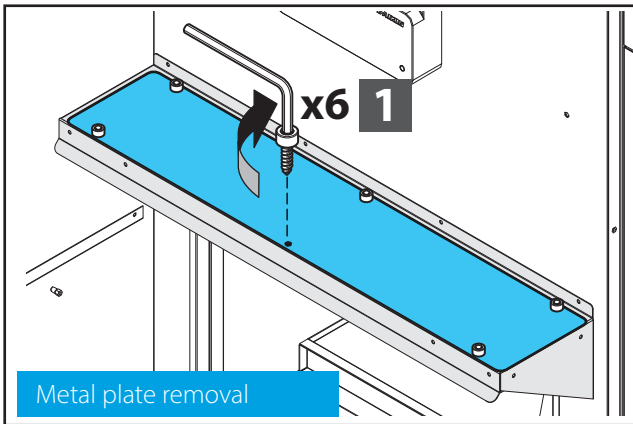
# Mixing Damper mounting

SIZE 5



3 Mixing damper mounting - SIZE 5

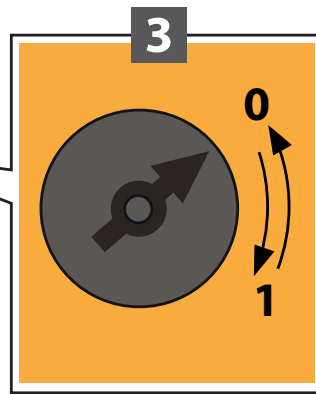
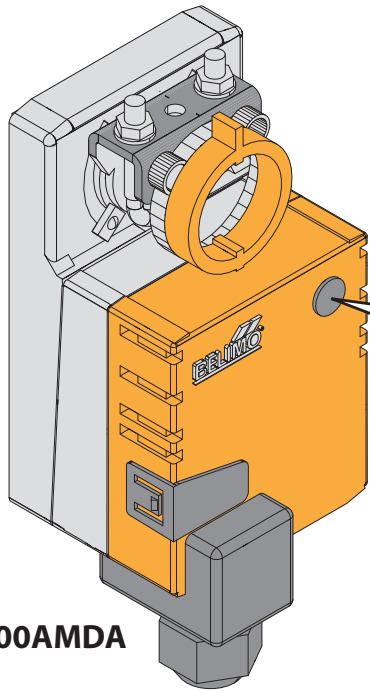
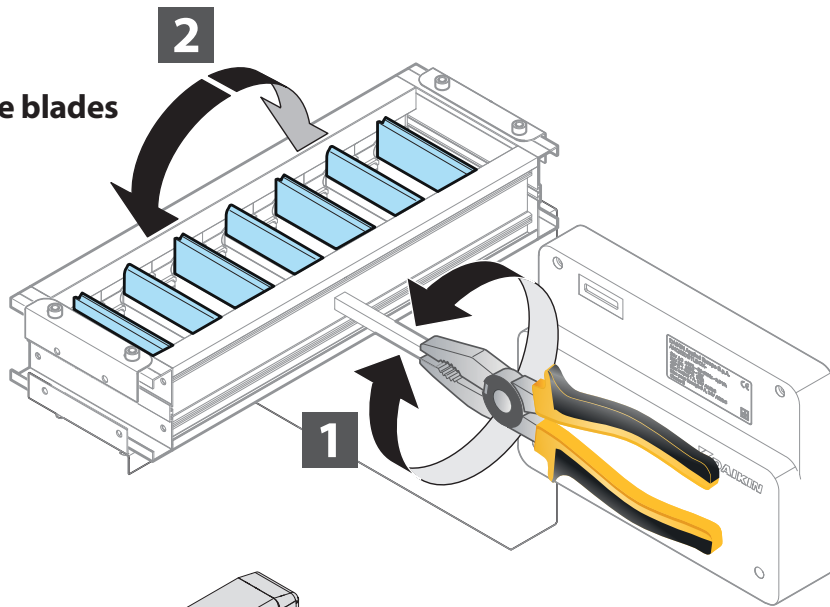
# SIZE 6-7



## 4 Mixing damper mounting - SIZE 6-7

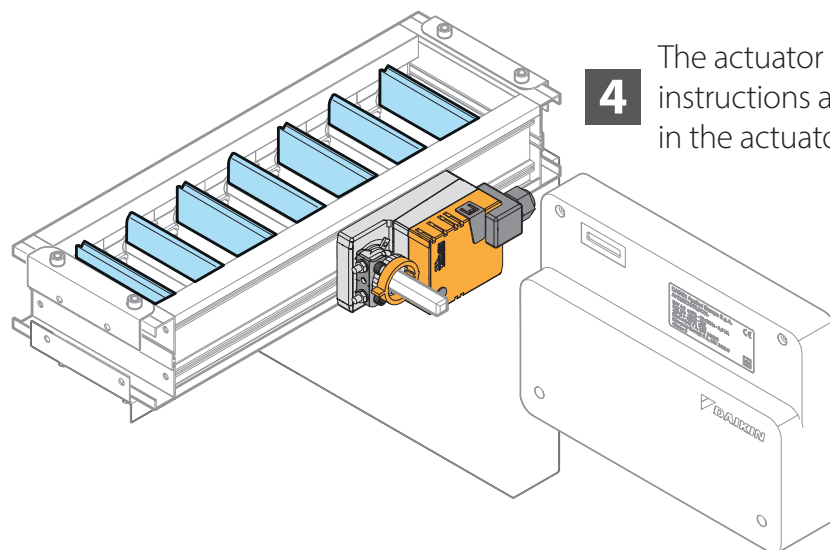


Close the blades

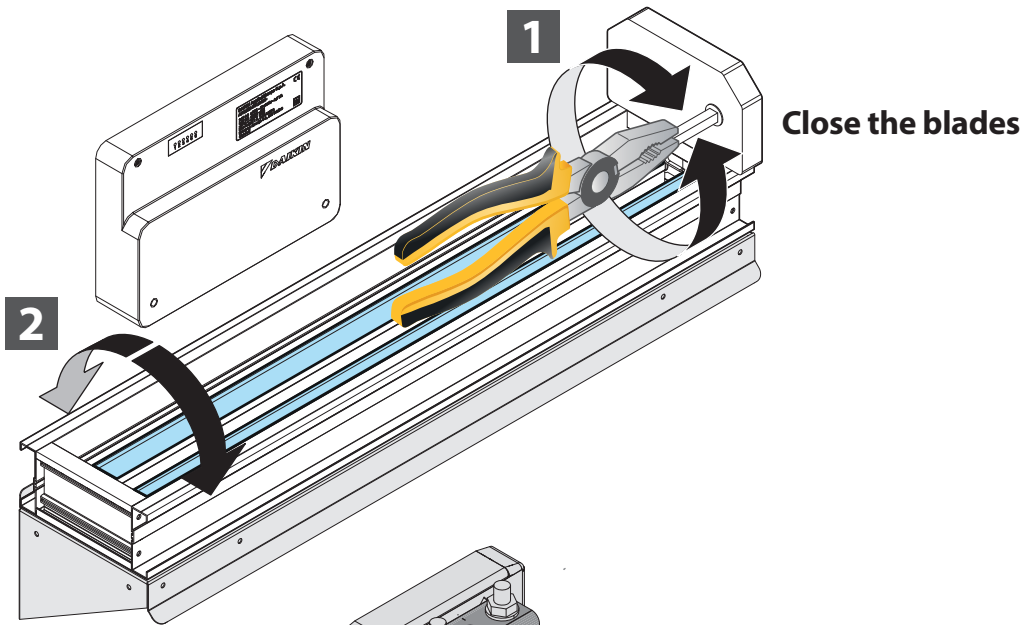


Set the pointer to the "0" position.

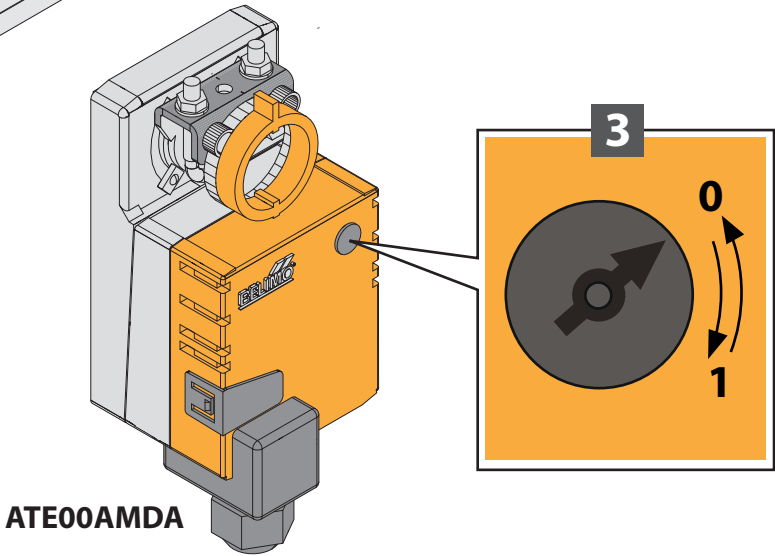
4 The actuator assembly instructions are contained in the actuator packaging.



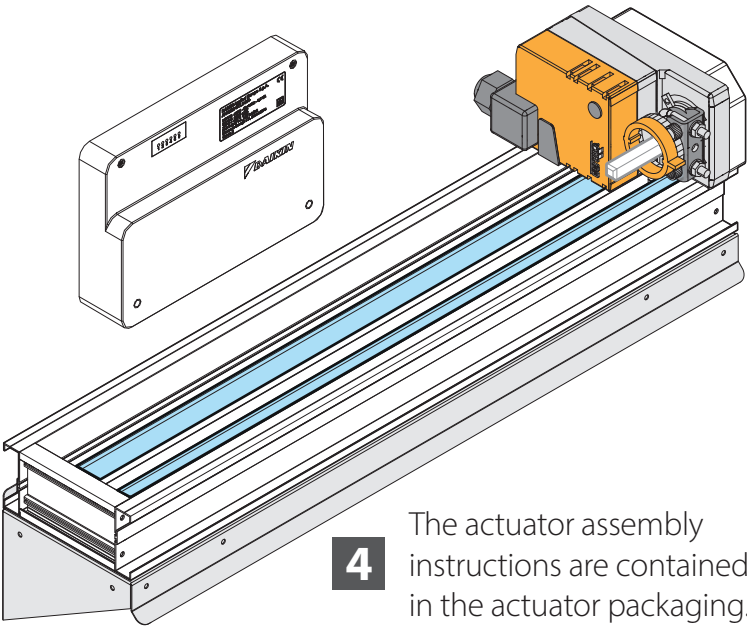
5 Actuator mounting - SIZE 5



Close the blades



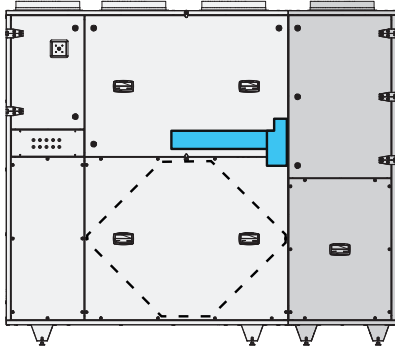
Set the pointer to the "0" position.



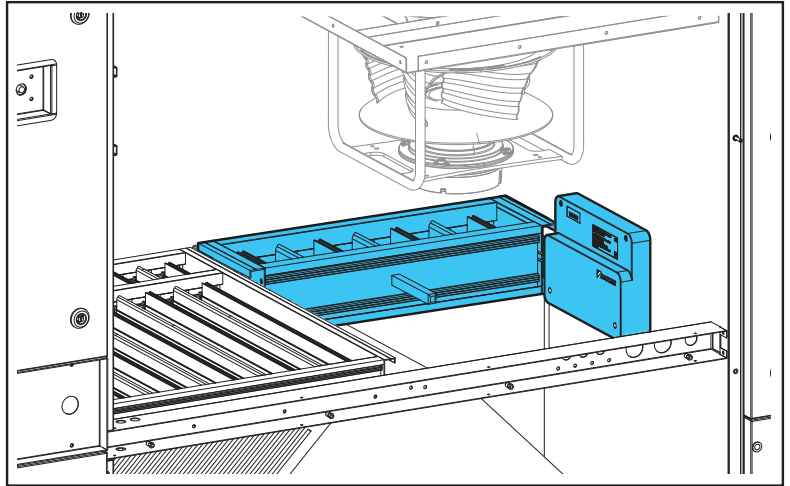
The actuator assembly instructions are contained in the actuator packaging.

**6** Actuator mounting - SIZE 6-7

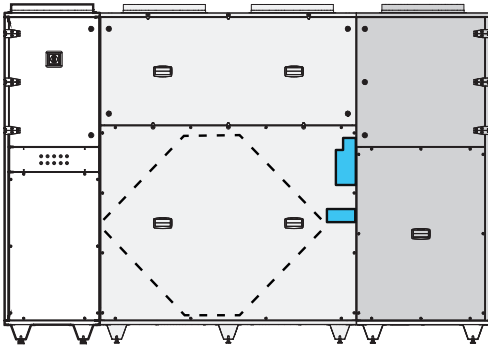
## SIZE 5



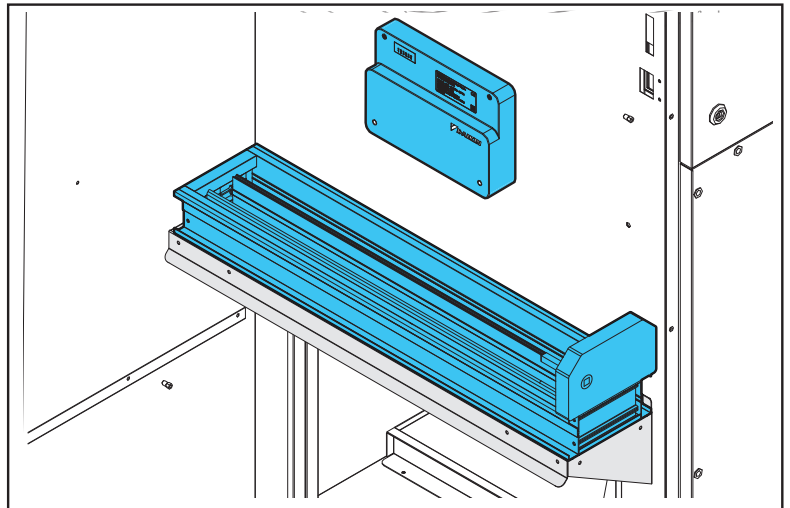
Connect to node **1**

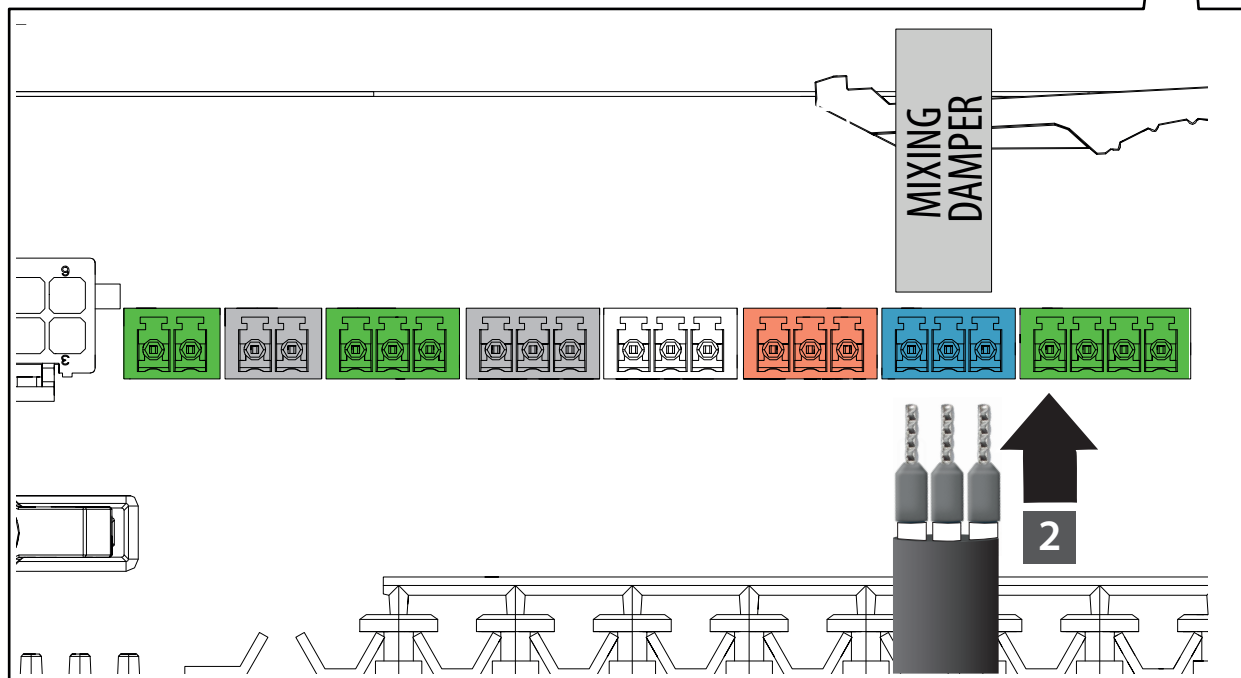
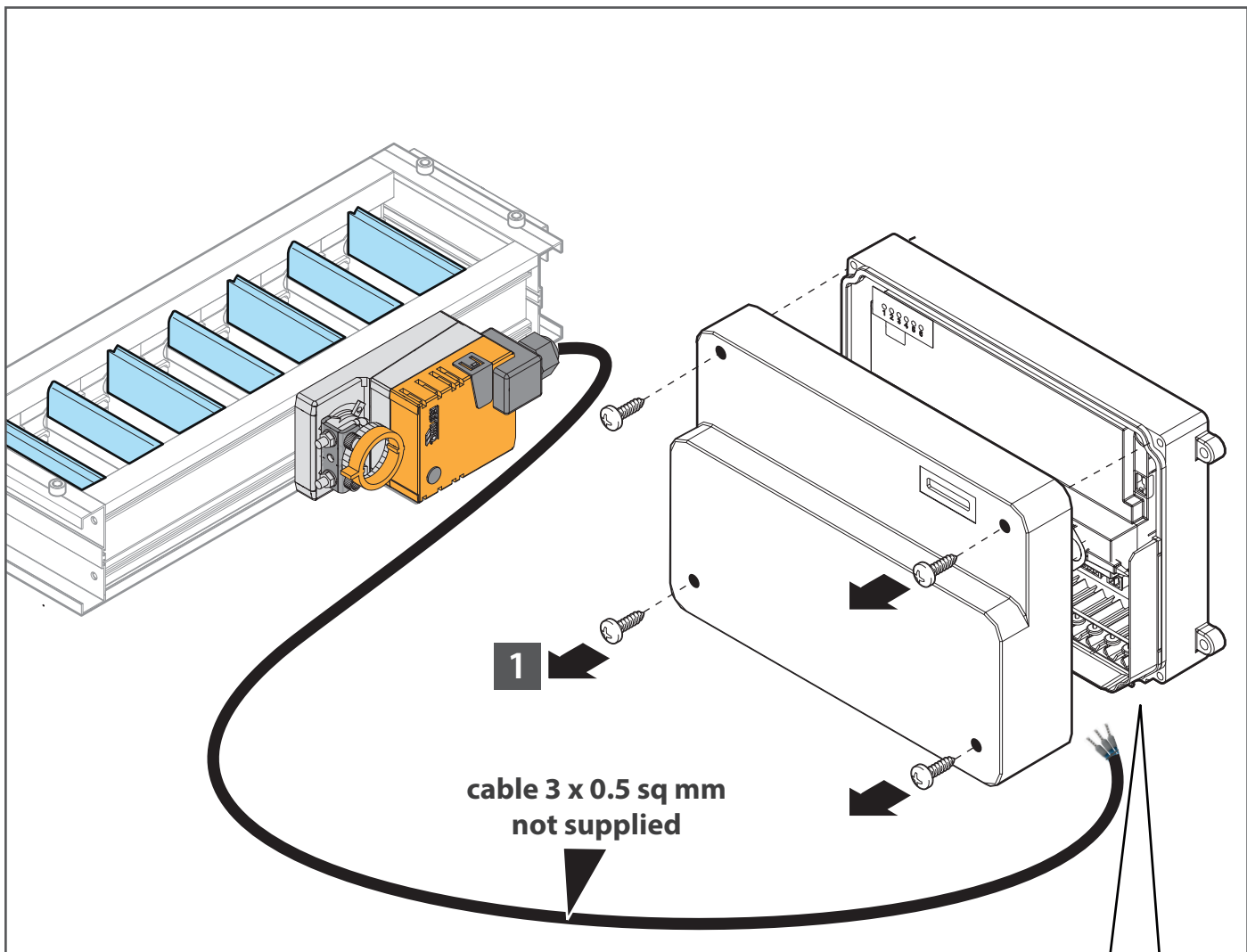


## SIZE 6-7



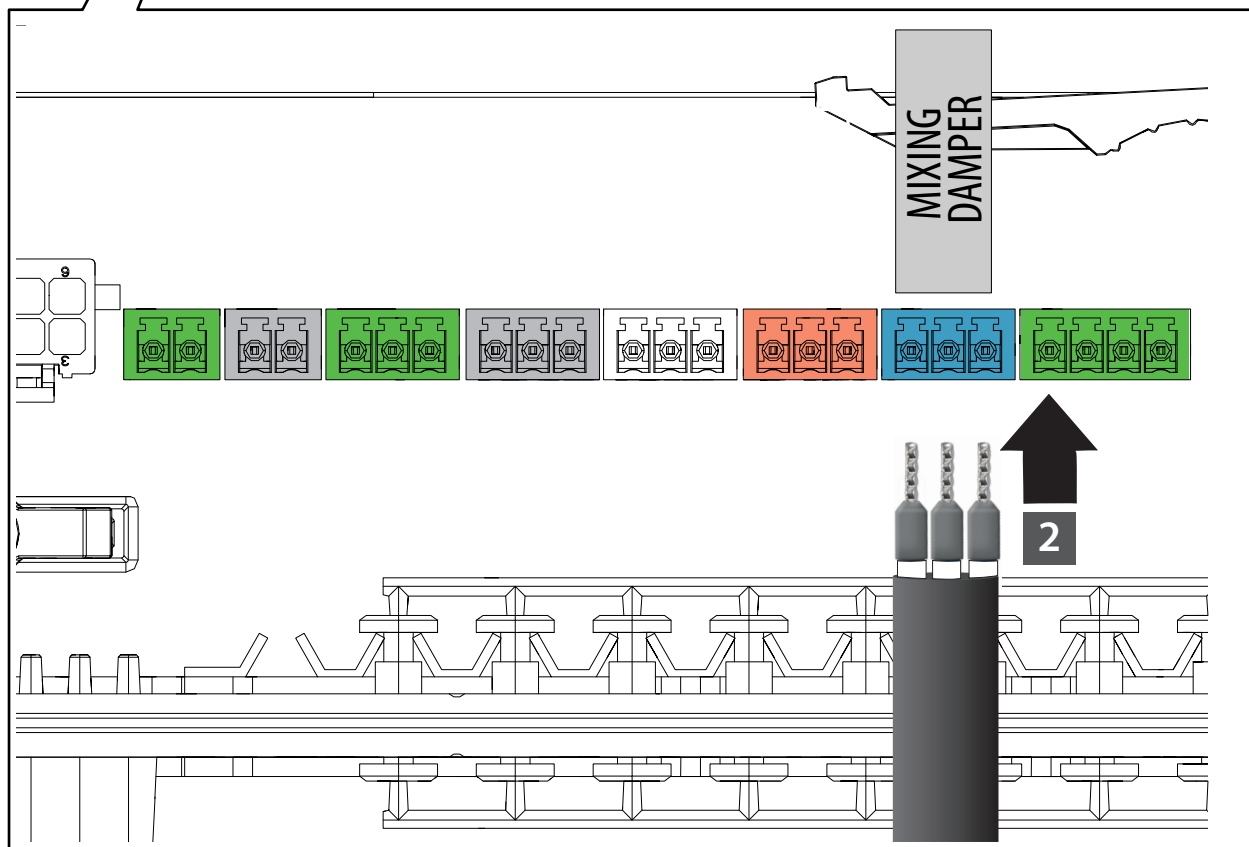
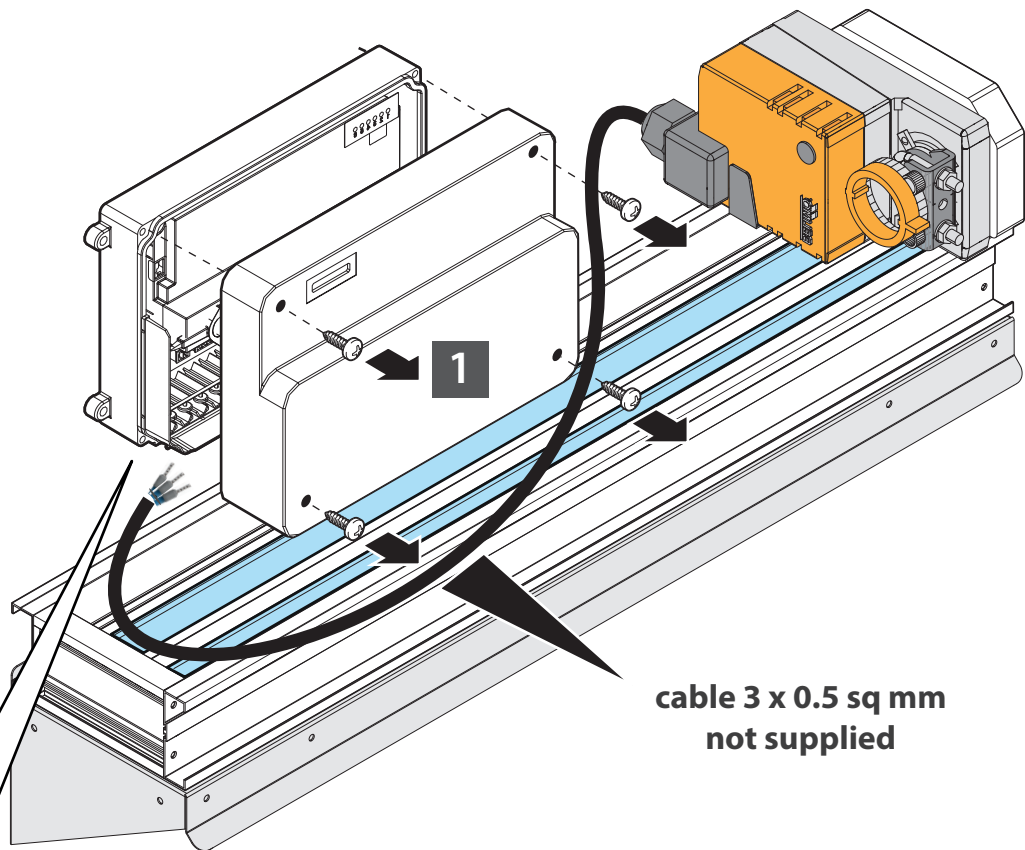
Connect to node **1**





FROM  
ACTUATOR

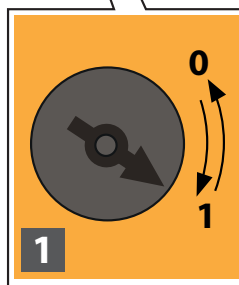
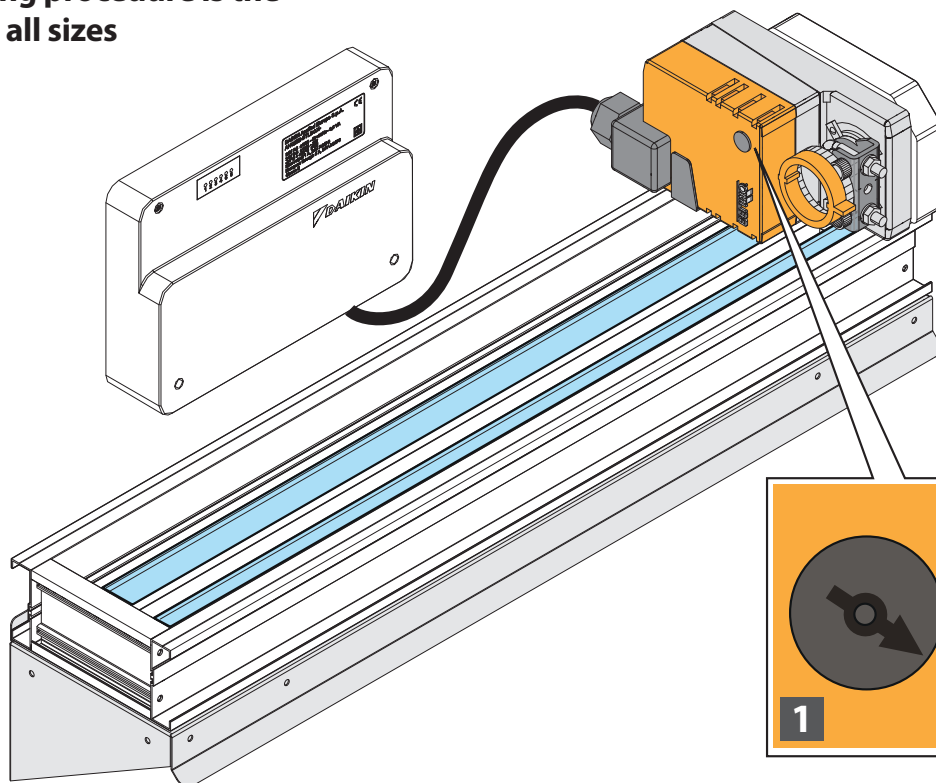
Connect according to  
the wiring diagram



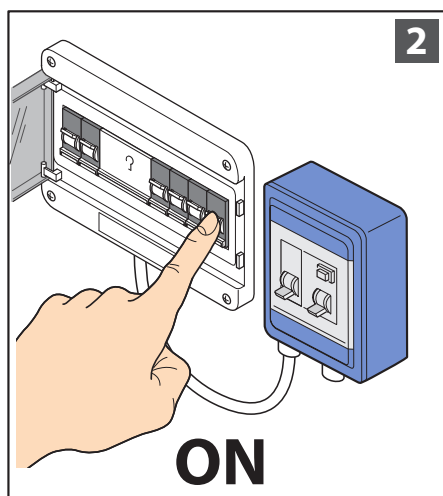
**FROM ACTUATOR**  
Connect according to  
the wiring diagram

# Testing procedure

The testing procedure is the same for all sizes



Set the pointer to the "1" position.



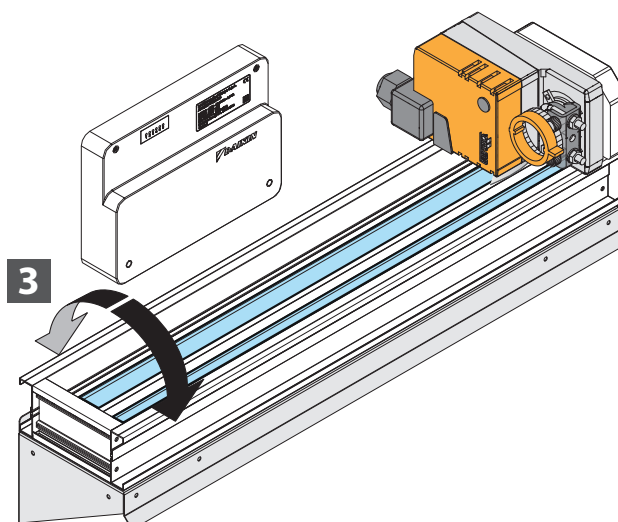
2

**ON**

Switch on the machine



**WARNING!** Internal parts of the machine under voltage

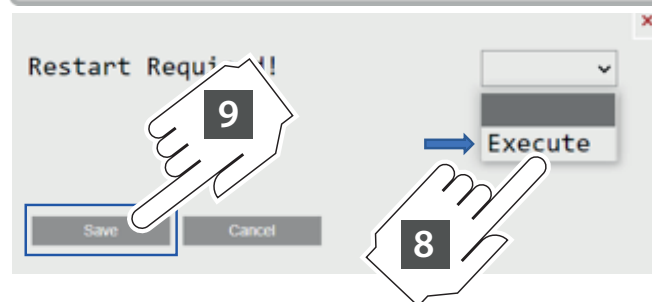
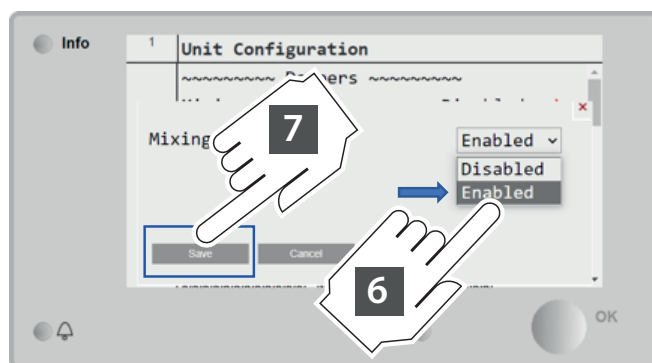
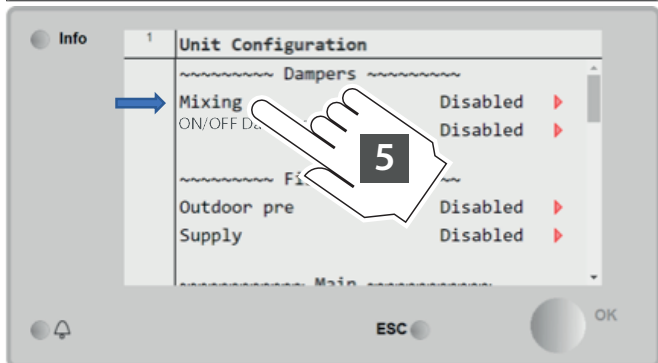
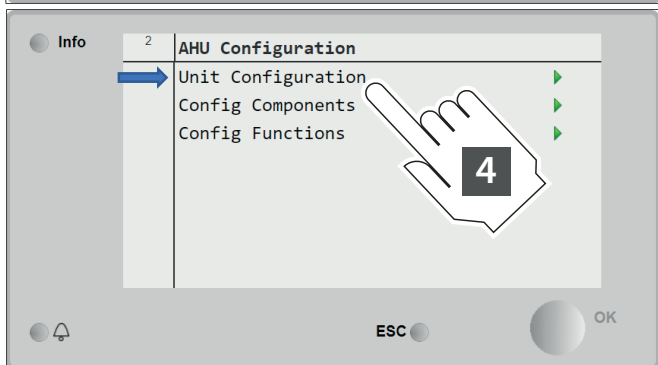
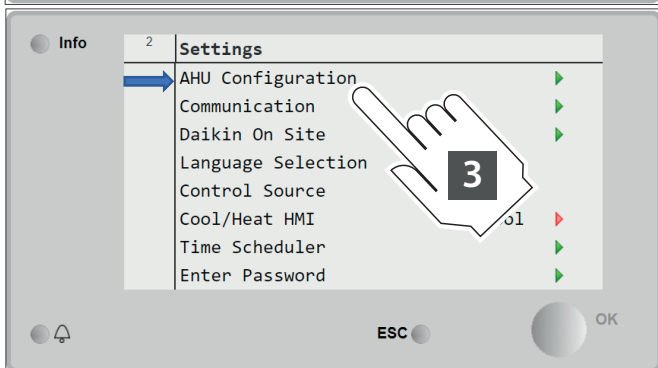
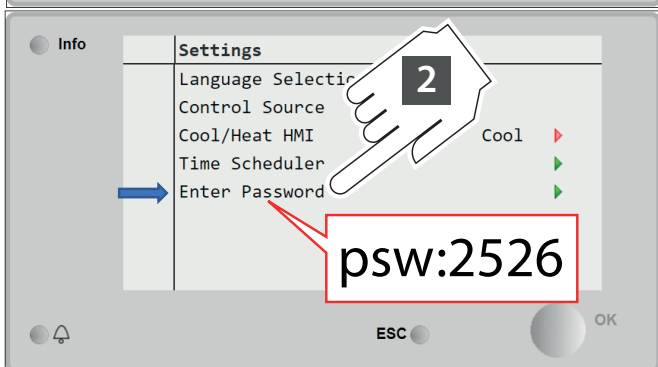
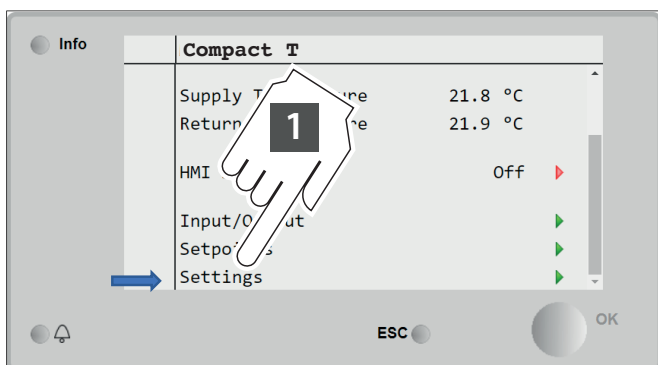


3

Check if the blades move until completely opened. If blades functioned differently, check the actuator's wiring connection.

# Software setup

Commissioning module ALC00895A is required.



**DAIKIN APPLIED EUROPE S.p.A.** Via Piani S. Maria, 72 - 00072 Ariccia (Rome) Italy - [www.daikinapplied.eu](http://www.daikinapplied.eu)

La presente pubblicazione è redatta solo come supporto tecnico e non costituisce impegno vincolante per Daikin Applied Europe S.p.A. Daikin Applied Europe S.p.A. ne ha compilato il contenuto al meglio delle proprie conoscenze. Nessuna esplicita o implicita garanzia è data per la completezza, precisione, affidabilità del suo contenuto. Tutti i dati e le specifiche in essa riportati sono soggetti a modifiche senza preavviso. Fanno fede i dati comunicati al momento dell'ordine. Daikin Applied Europe S.p.A. respinge esplicitamente qualsiasi responsabilità per qualsiasi danno diretto o indiretto, nel senso più ampio del termine, derivanti o connessi con l'uso e / o l'interpretazione di questa pubblicazione. Tutto il contenuto è protetto da copyright di Daikin Applied Europe S.p.A.

D-EIMOC2009-25\_01EN