



Installation manual

Sound Attenuator Modular T

D-EIMOC2009-24_00EN

› Modular T

Original instructions

REV	00
DATE	February 2022
REPLACES	

1 Important warnings



The pictogram shows a situation of immediate danger or a dangerous situation that might cause injuries or death.



The pictogram shows that it is necessary to adopt suitable behaviour in order to avoid jeopardising staff safety and cause damages to the equipment.



The pictogram shows particularly important technical information that should be taken into consideration by the people installing or using the equipment.



Read this manual carefully before installation and keep it for any further future consultation by the various operators. Do not remove, tear out or rewrite any part of this manual.



Failure to follow these instructions may cause damage and injuries, even fatal, voids the warranty and relieves the Manufacturer of any liability.



All installation, assembly, electrical connections to the mains and ordinary/extraordinary maintenance must be performed **only by technicians complying with the legal requirements**, after turning off the unit and using personal protective equipment (i.e. gloves, protective goggles, etc.), in compliance with the regulations in force in the country the equipment is to be used in and the laws on safety in the workplace.



Installation, use or maintenance other than those specified in the manual may cause damage, injury or death, invalidate the warranty and relieve the Manufacturer of all liability.



Use protective clothing and suitable equipment while handling or installing the equipment, in order to prevent accidents and safeguard your own and other people's safety. Individuals not assigned to installation or maintenance are NOT allowed to stand or pass through the work area while the unit is assembled.



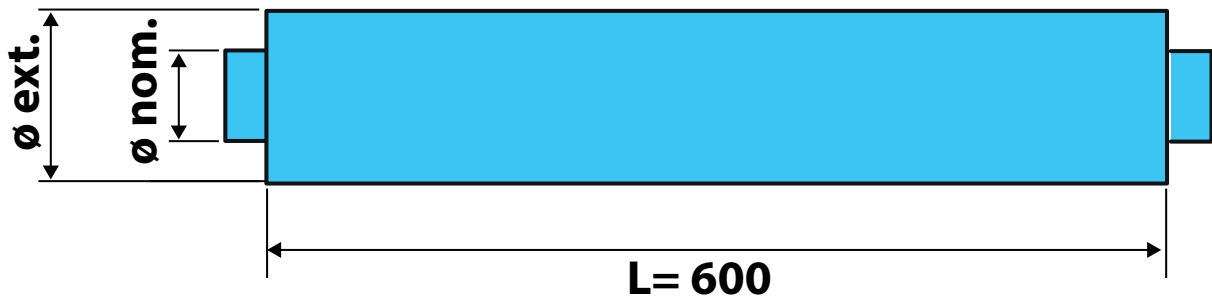
Before carrying out any installation, disconnect the equipment from the power supply and wait at least 120 seconds before carrying out any operation.



It is the responsibility of the user/installer to check the static and dynamic stability relative to the installation and to arrange environments so that **people who are not competent or authorised DO NOT have access to the unit or to its controls.**

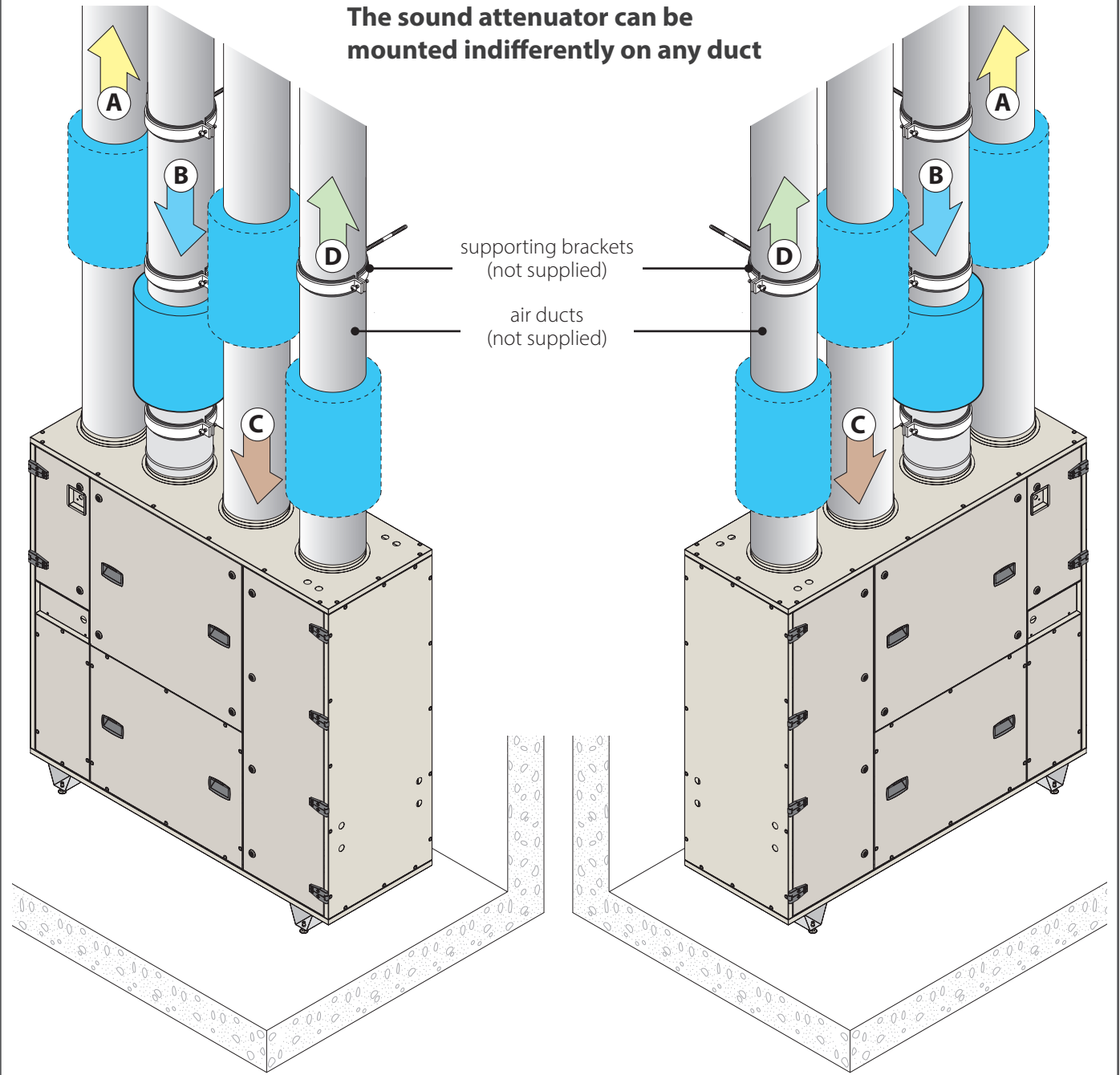
2 Technical data

Size	Material name	Lenght [mm]	ø nom. [mm]	ø ext. [mm]	Net weight [kg]
03	ATS0360A	600	250	350	9
04	ATS0460A	600	315	415	10
05	ATS0560A	600	355	455	12
06	ATS0660A	600	400	500	14
07	ATS0760A	600	500	600	19



3 Installation

The sound attenuator can be mounted indifferently on any duct



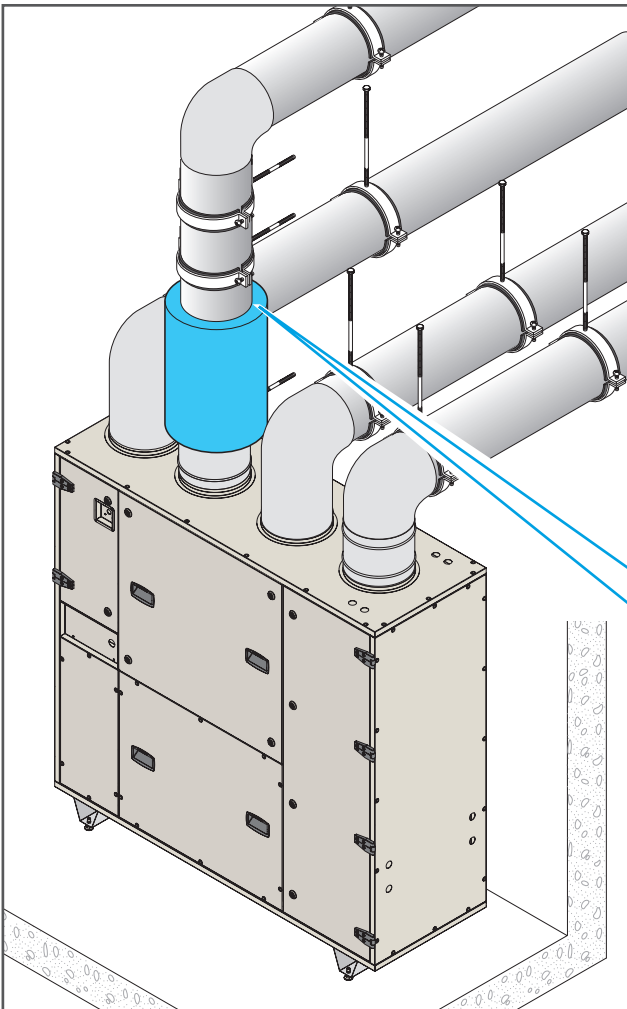
Right Handling
VERSION MACHINES
ATBR****

Left handling
VERSION MACHINES
ATBL****

DUCT

- A** Exhaust air
- B** Fresh air
- C** Return air
- D** Supply air

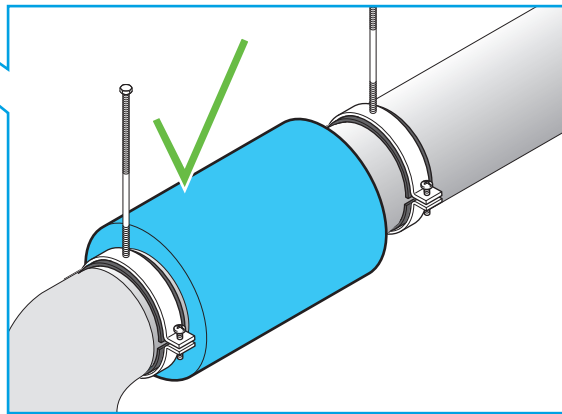
1 Machine duct, example



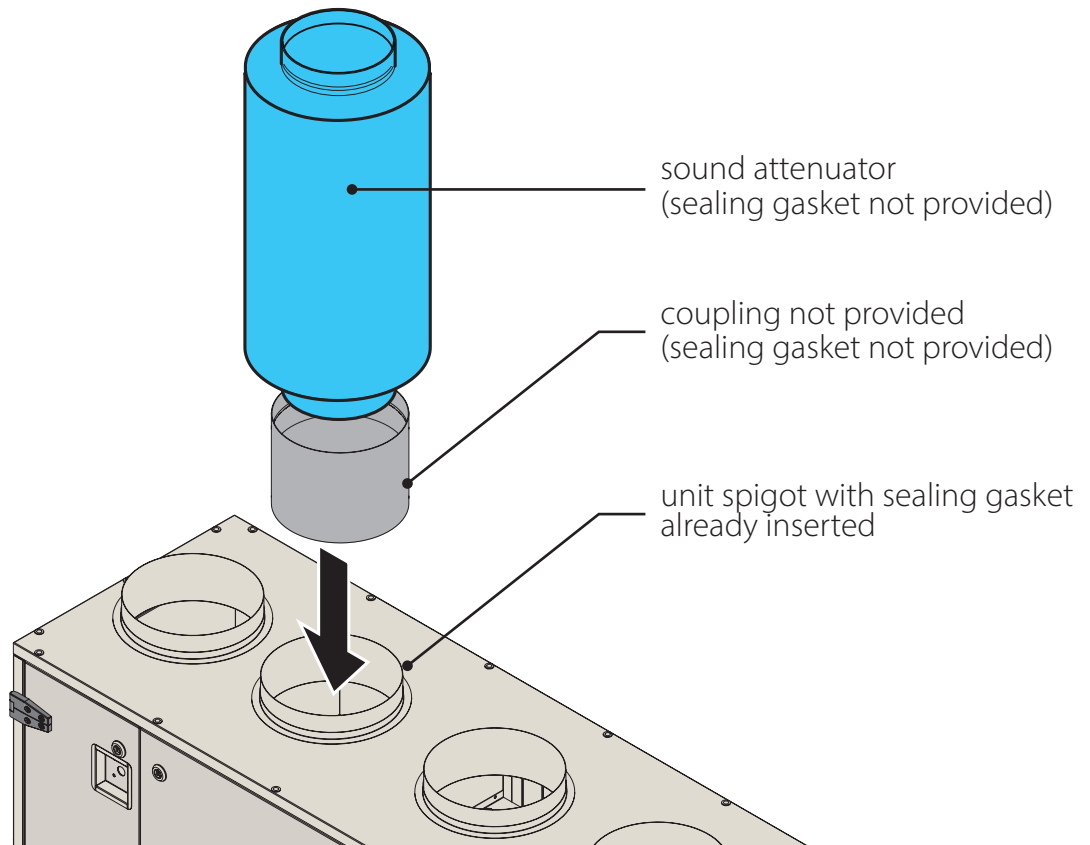
Sound attenuators can be positioned both **horizontally** and **vertically**.

The ducts and the sound attenuators must be **permanently fixed to a fixed structure** (for example a wall or a ceiling) using brackets (not supplied).

Sound attenuators should be installed in such a way that it is accessible for maintenance or any other operation.



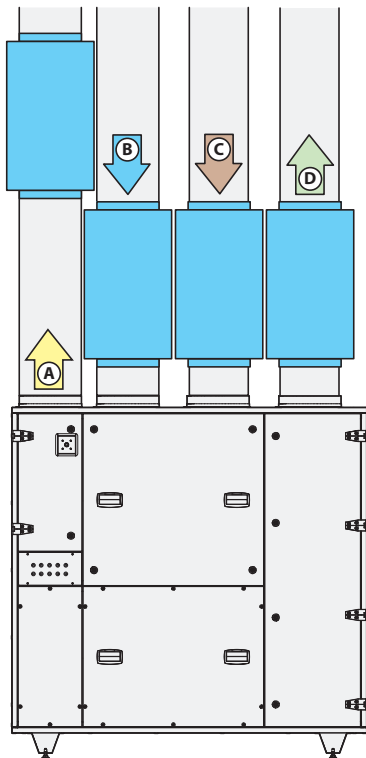
2 Example of installation of Sound attenuator both horizontally and vertically



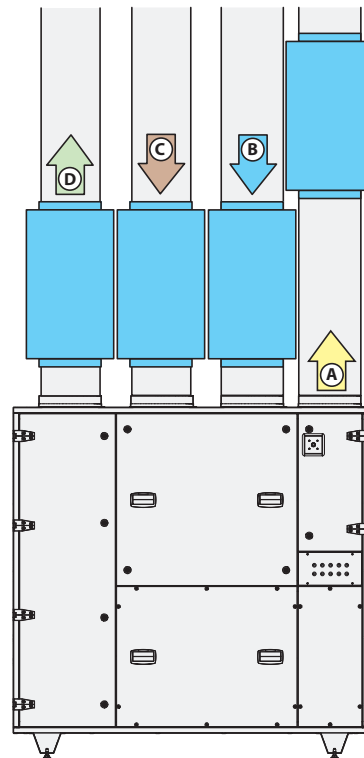
3 Installation of sound attenuator

For size 03 it is NOT possible to install:
the silencers for exhaust and fresh air on parallel way

Right Handling
VERSION MA-
CHINES
ATB03R**



Left handling
VERSION MACHINES
ATB03L**



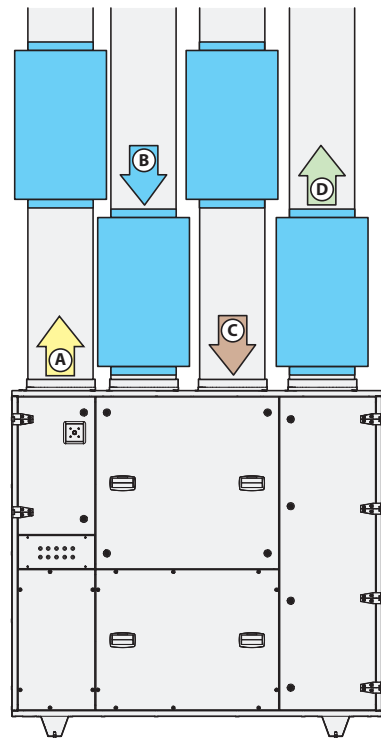
For size 04 it is NOT possible to install at the same height:

- the silencers for exhaust and fresh air
- the silencers for return and fresh air
- the silencers for return and supply air
- the silencer for exhaust and pre heating water/electric coil

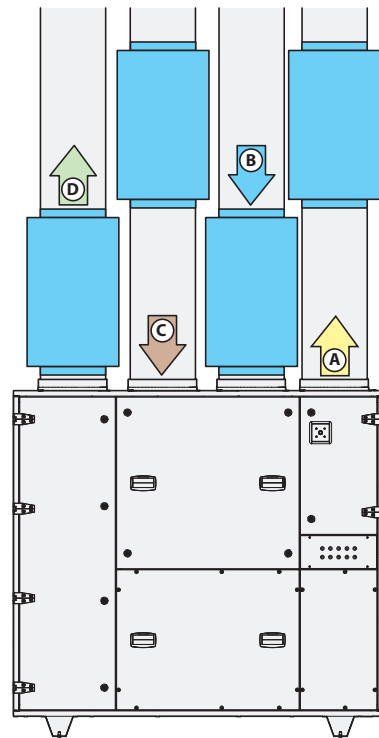
DUCT

- (A)** Exhaust air
- (B)** Fresh air
- (C)** Return air
- (D)** Supply air

Right Handling
VERSION MACHINES
ATB04R**

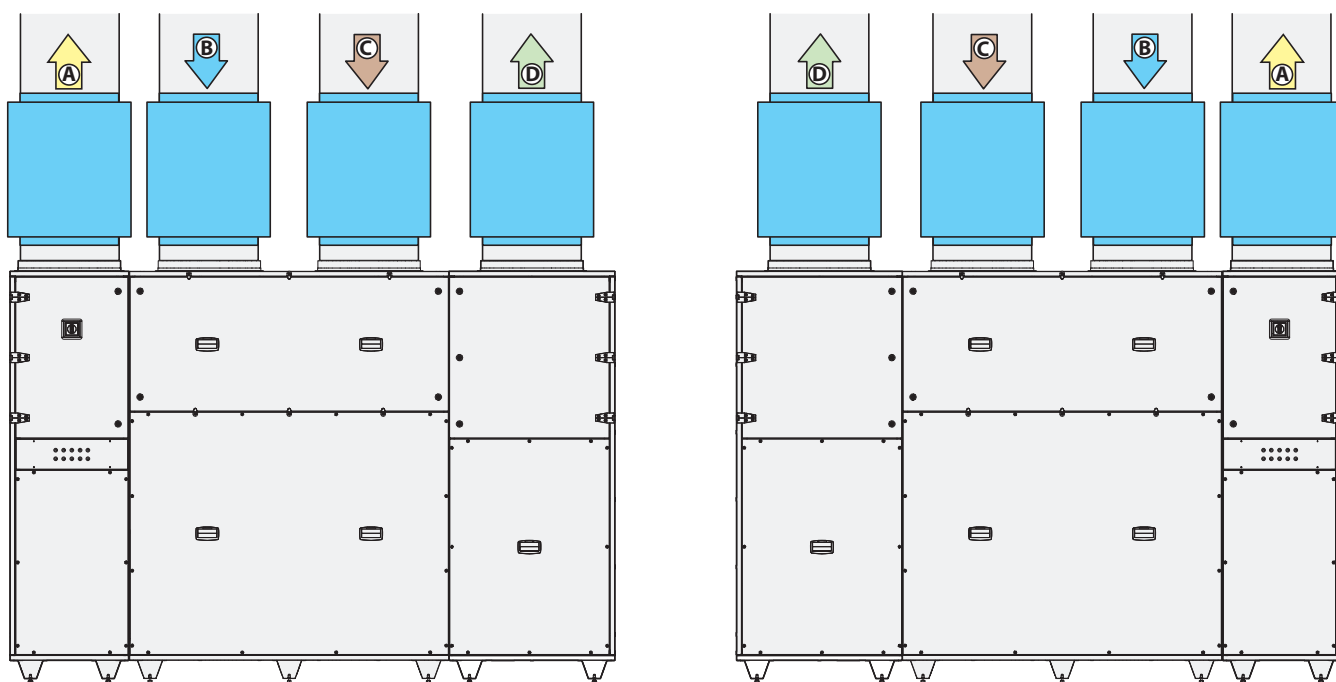


Left handling
VERSION MACHINES
ATB04L**



4 Installation of sound attenuator

For size 05, 06 and 07, sound attenuators can be installed at the same height.



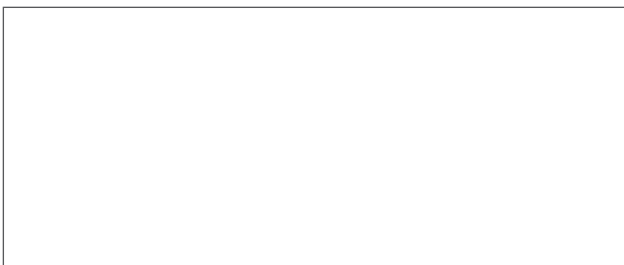
Right Handling
VERSION MACHINES
ATBR****

Left handling
VERSION MACHINES
ATBL****

DUCT

- A** Exhaust air
- B** Fresh air
- C** Return air
- D** Supply air

DAIKIN APPLIED EUROPE S.p.A. Via Piani S. Maria, 72 - 00072 Ariccia (Rome) Italy - www.daikinapplied.eu



La presente pubblicazione è redatta solo come supporto tecnico e non costituisce impegno vincolante per Daikin Applied Europe S.p.A. Daikin Applied Europe S.p.A. ne ha compilato il contenuto al meglio delle proprie conoscenze. Nessuna esplicita o implicita garanzia è data per la completezza, precisione, affidabilità del suo contenuto. Tutti i dati e le specifiche in essa riportati sono soggetti a modifiche senza preavviso. Fanno fede i dati comunicati al momento dell'ordine. Daikin Applied Europe S.p.A. respinge esplicitamente qualsiasi responsabilità per qualsiasi danno diretto o indiretto, nel senso più ampio del termine, derivanti o connessi con l'uso e / o l'interpretazione di questa pubblicazione. Tutto il contenuto è protetto da copyright di Daikin Applied Europe S.p.A.

D-EIMOC2009-24_00EN