



Installation manual

Internal post heating water coil Modular T

D-EIMOC2009-23_00EN

› Modular T

Original translations

REV	00
DATE	December 2022
REPLACES	

1 Important warnings



The pictogram shows a situation of immediate danger or a dangerous situation that might cause injuries or death.



The pictogram shows that it is necessary to adopt suitable behaviour in order to avoid jeopardising staff safety and cause damages to the equipment.



The pictogram shows particularly important technical information that should be taken into consideration by the people installing or using the equipment.



Read this manual carefully before installation and keep it for any further future consultation by the various operators. Do not remove, tear out or rewrite any part of this manual.



Failure to follow these instructions may cause damage and injuries, even fatal, voids the warranty and relieves the Manufacturer of any liability.



All installation, assembly, electrical connections to the mains and ordinary/extraordinary maintenance must be performed **only by technicians complying with the legal requirements**, after turning off the unit and using personal protective equipment (i.e. gloves, protective goggles, etc.), in compliance with the regulations in force in the country the equipment is to be used in and the laws on safety in the workplace.



Installation, use or maintenance other than those specified in the manual may cause damage, injury or death, invalidate the warranty and relieve the Manufacturer of all liability.



Use protective clothing and suitable equipment while handling or installing the equipment, in order to prevent accidents and safeguard your own and other people's safety. Individuals not assigned to installation or maintenance are NOT allowed to stand or pass through the work area while the unit is assembled.



Before carrying out any installation, disconnect the equipment from the power supply and wait at least 120 seconds before carrying out any operation.



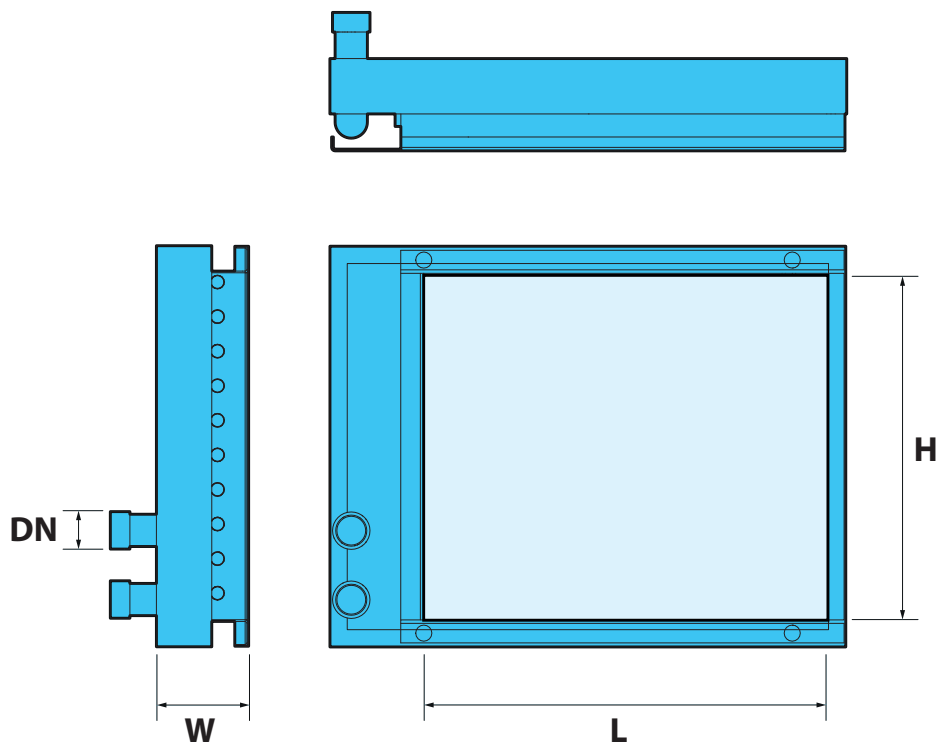
It is the responsibility of the user/installer to check the static and dynamic stability relative to the installation and to arrange environments so that **people who are not competent or authorised DO NOT have access to the unit or to its controls.**

2 Technical data

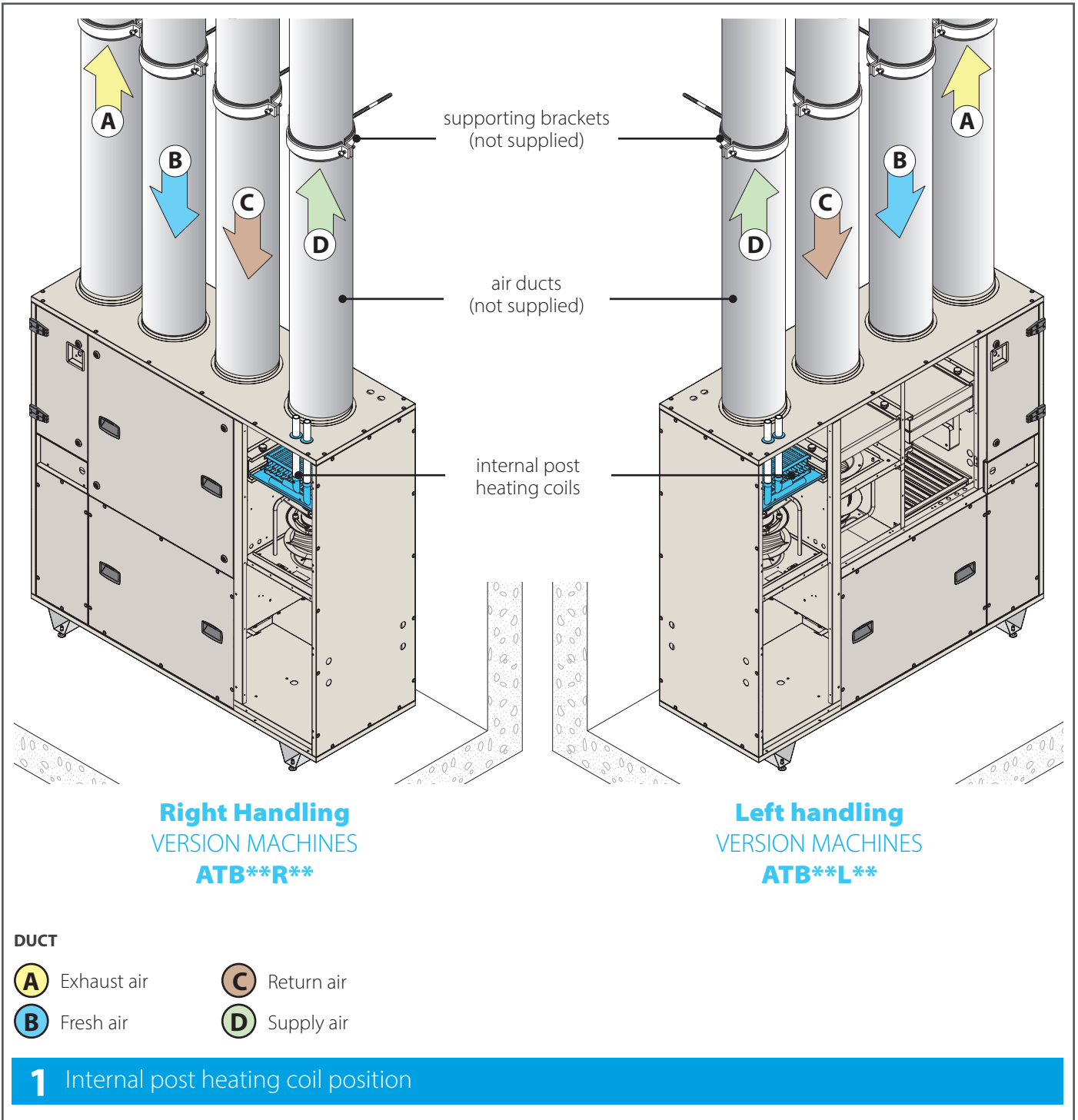
Water coils | Heating

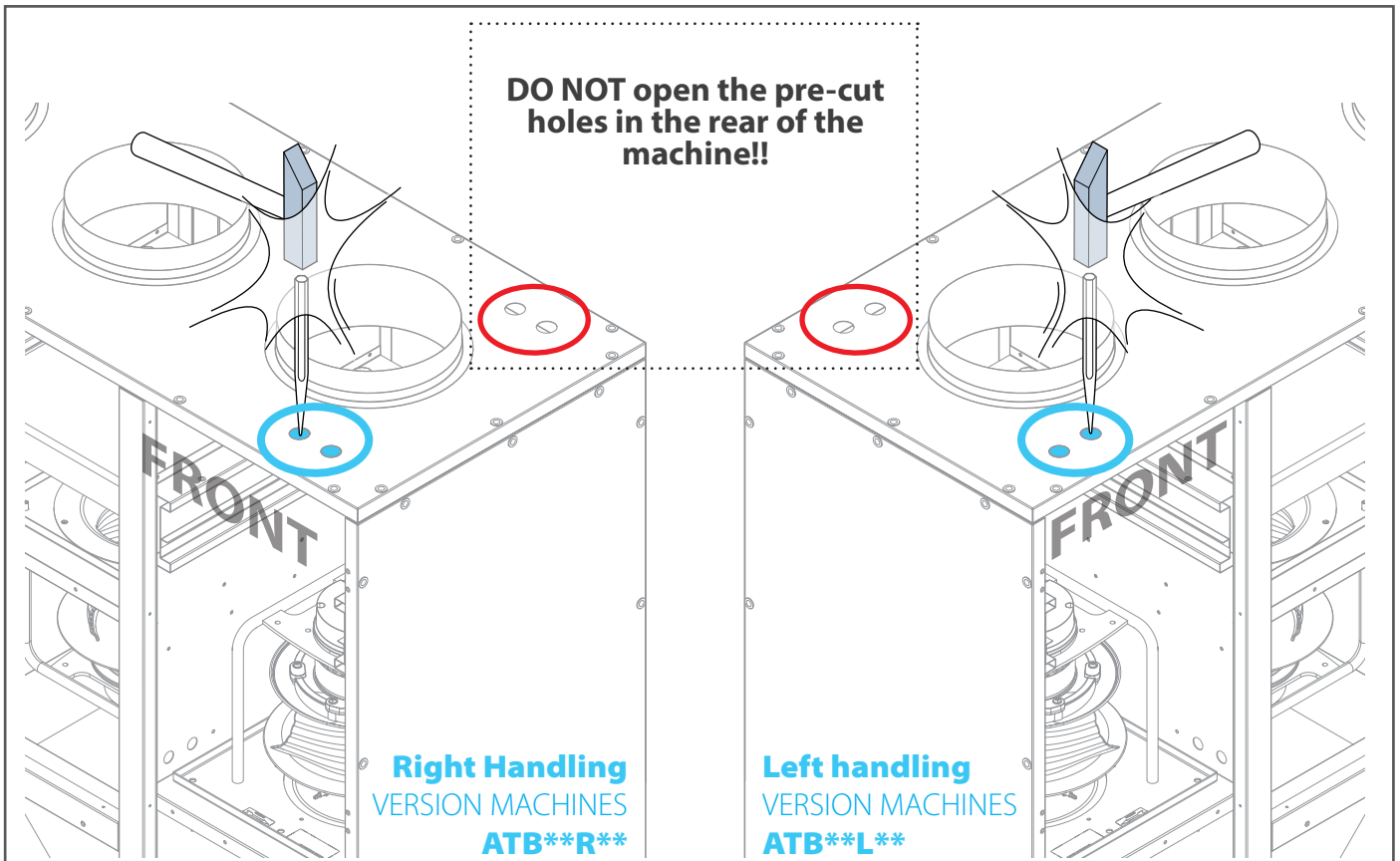
Size	Material name	Total Capacity* [kW]	H [mm]	L [mm]	W [mm]	DN [inch]	WEIGHT [kg]
03	ATD03HWSAR	10,01	301	320	80	3/4	6
	ATD03HWSAL						
04	ATD04HWSAR	19,58	301	560	80	3/4	9
	ATD04HWSAL						
05	ATD05HWSAR	27,30	451	530	80	1	12
	ATD05HWSAL						
06	ATD06HWSAR	32,05	541	530	80	1 1/4	13
	ATD06HWSAL						
07	ATD07HWSAR	46,29	661	630	80	1 1/4	17
	ATD07HWSAL						

*Calculated considering: inlet condition -15°C/90% and inlet/outlet water temperature 60/50°C

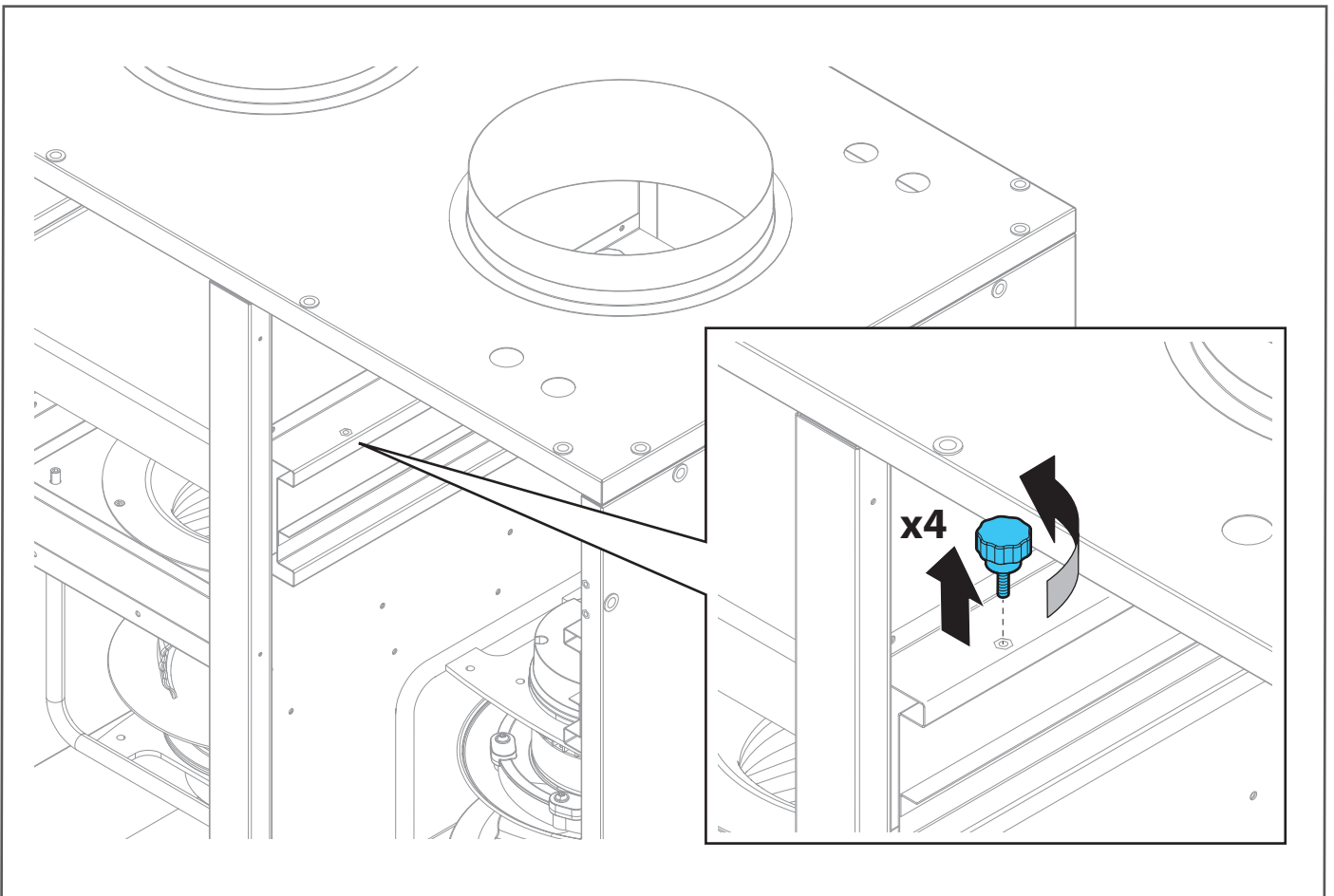


3 Installation



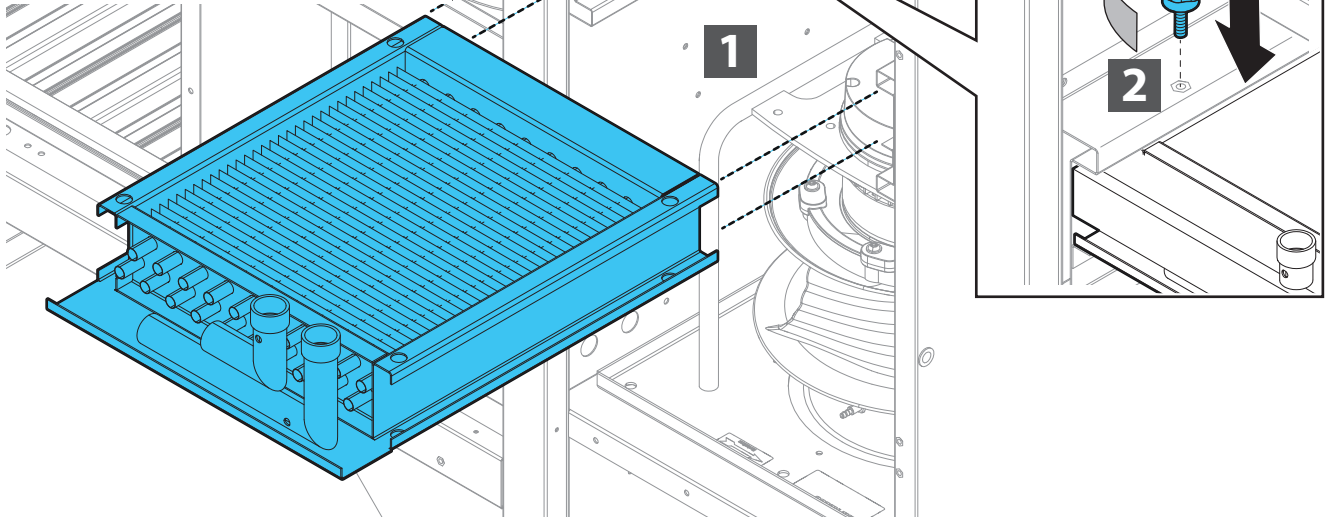


2 Pre-cut holes opening

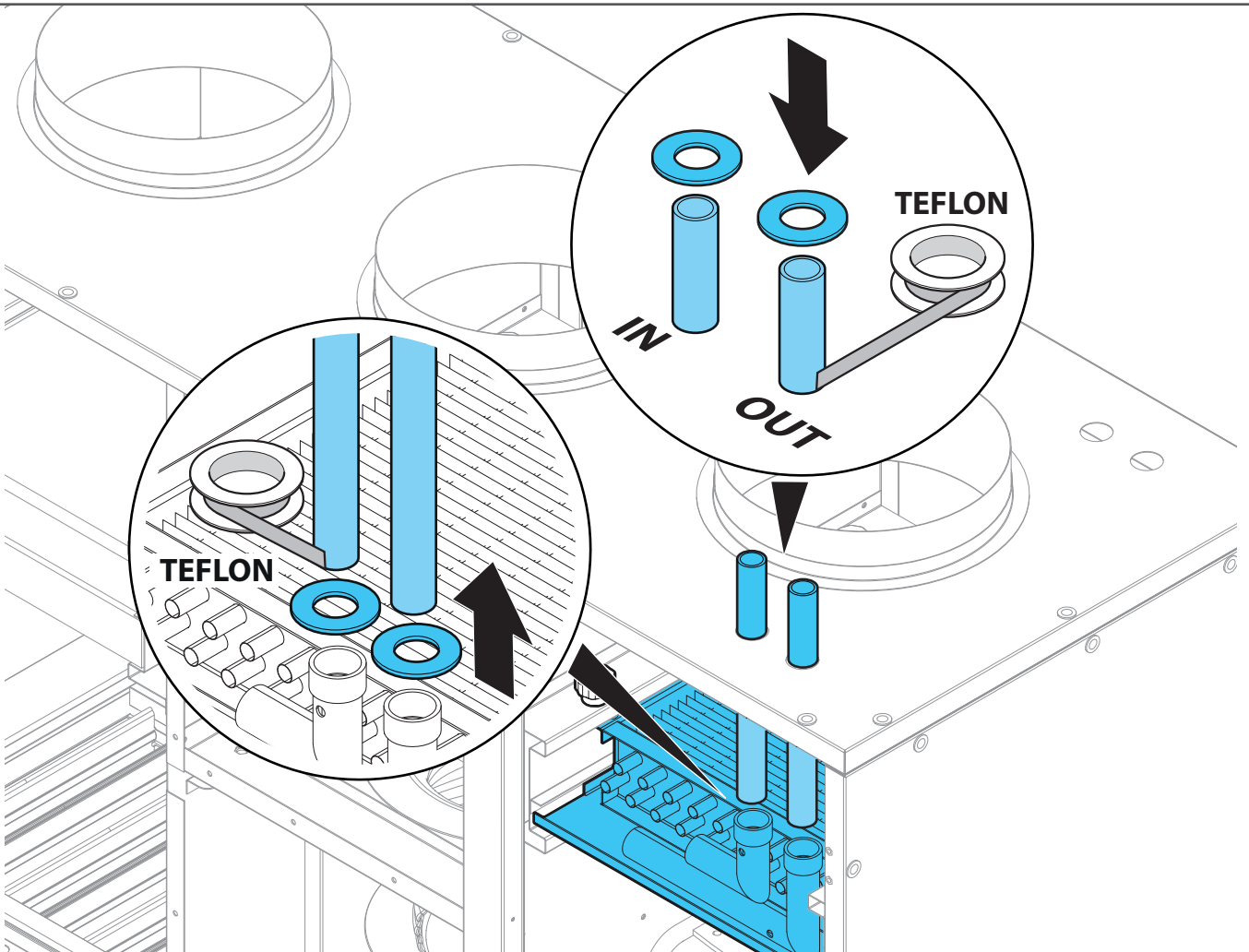


3 Remove lobe knob

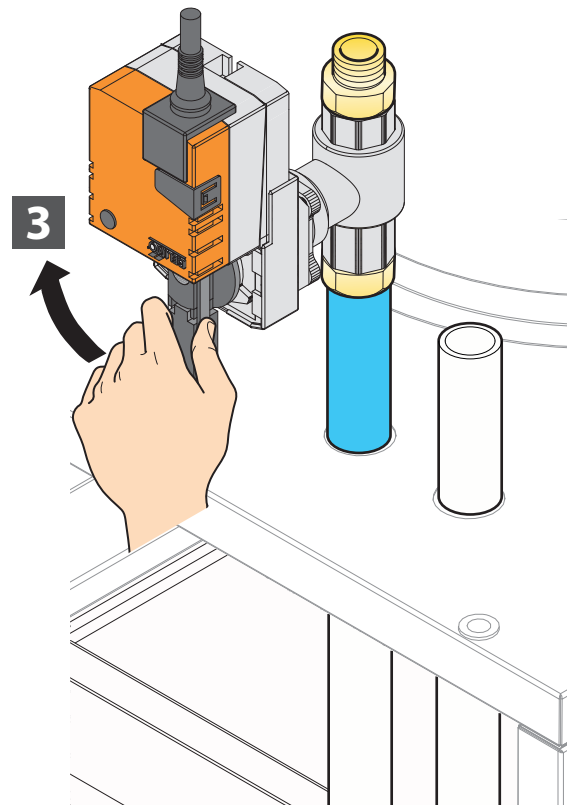
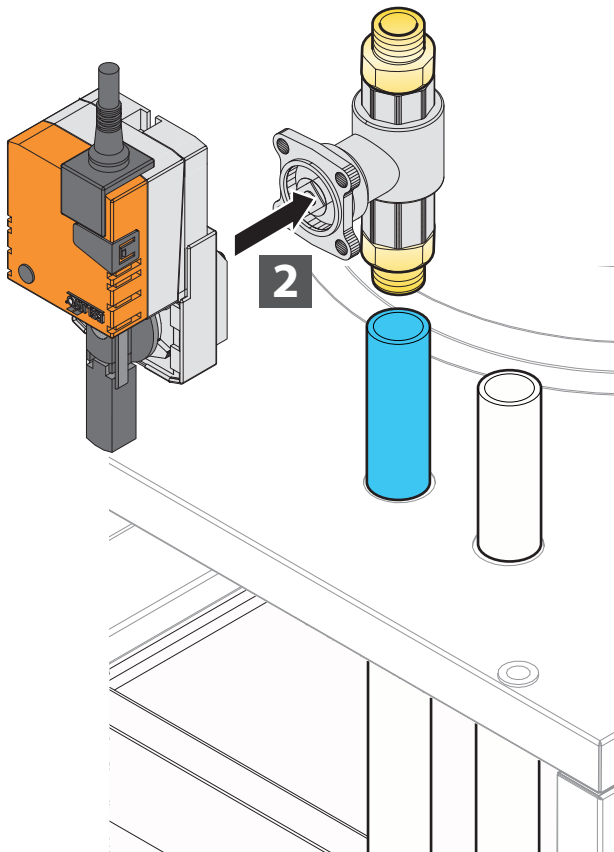
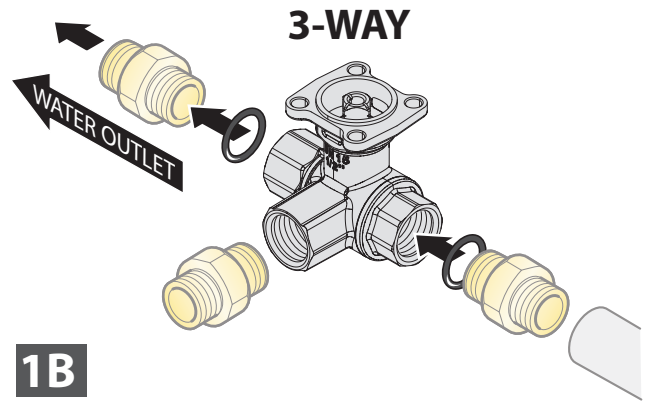
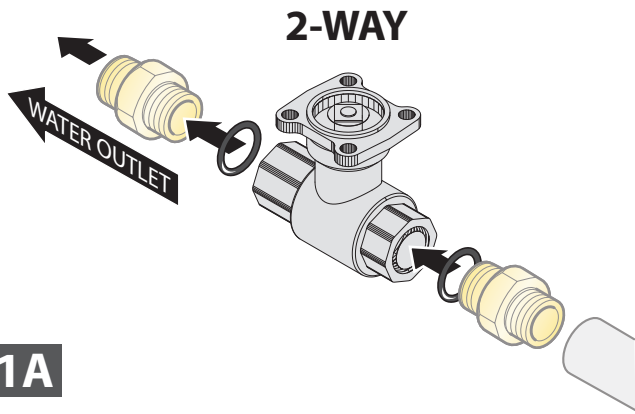
Attention!
If a filter is fitted, it must be removed before installing the post heating coil



4 Post heating coil Installation



5 Extension pipes installation

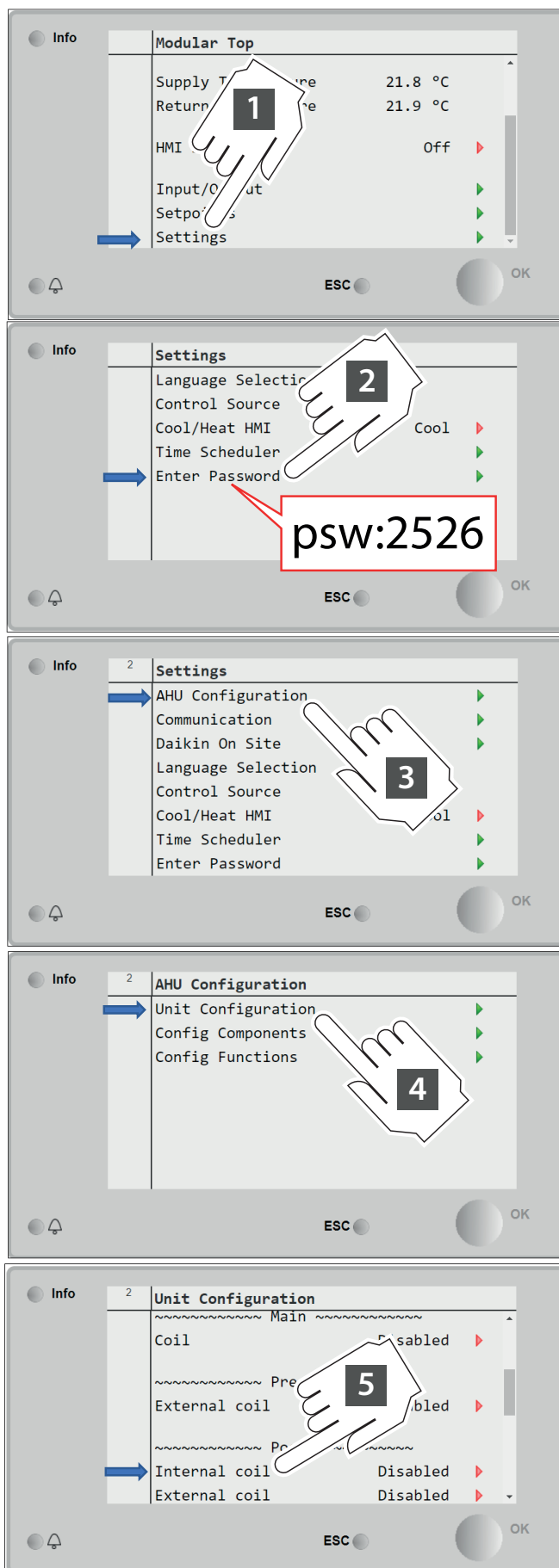


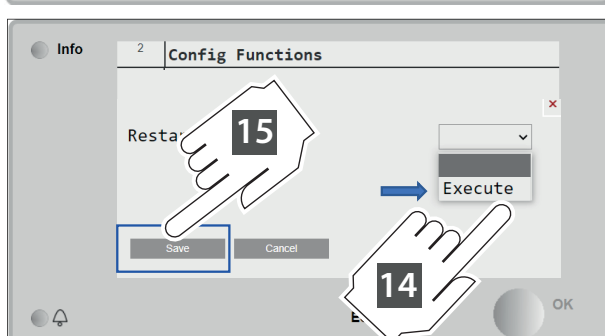
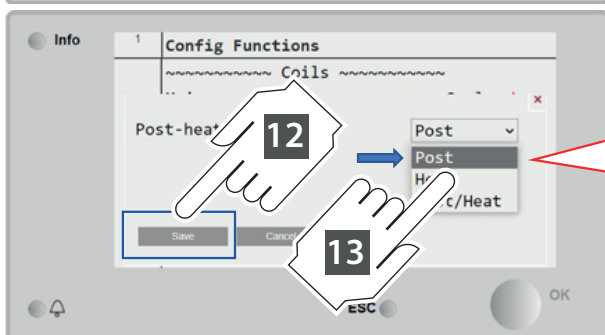
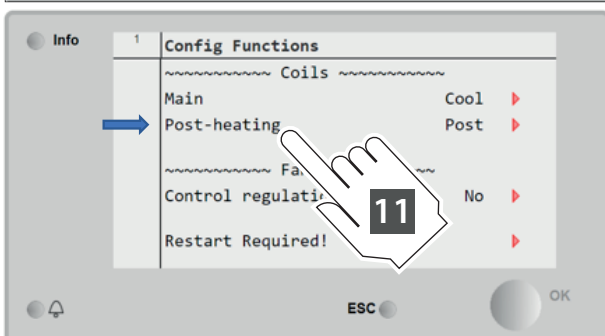
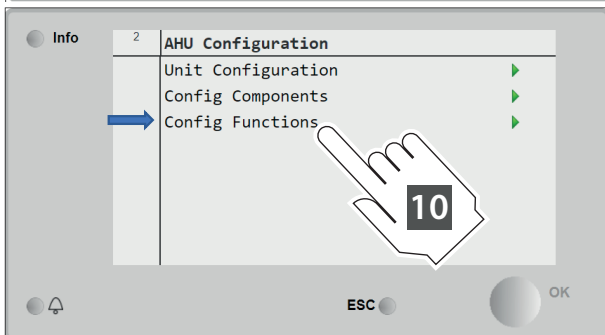
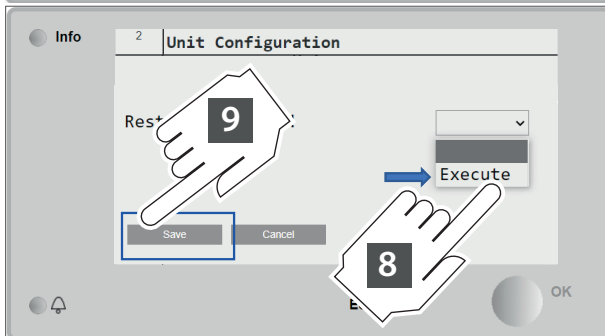
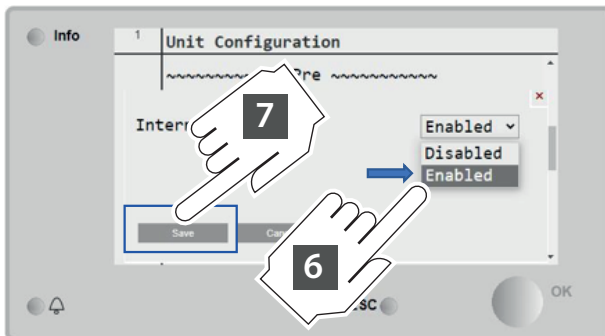
Size	2 way cooling water valves	3 way cooling water valves	Valve DN [inch]	Coil DN [inch]
03	ATV03CW2A	ATV03CW3A	1/2	3/4
04	ATV04CW2A	ATV04CW3A	1/2	3/4
05	ATV05CW2A	ATV05CW3A	3/4	1
06	ATV06CW2A	ATV06CW3A	3/4	1 1/4
07	ATV07CW2A	ATV07CW3A	1	1 1/4

6 Valve and actuator installation (opt.)

Software setup

Commissioning module ALC00895A is required.





Select whether the coil will work as:

- **Post:** works in dehumidifying mode together with cooling coil
- **Heat:** works only in heating mode
- **Post/Heat:** works in both ways

DAIKIN APPLIED EUROPE S.p.A. Via Piani S. Maria, 72 - 00072 Ariccia (Rome) Italy - www.daikinapplied.eu

La presente pubblicazione è redatta solo come supporto tecnico e non costituisce impegno vincolante per Daikin Applied Europe S.p.A. Daikin Applied Europe S.p.A. ne ha compilato il contenuto al meglio delle proprie conoscenze. Nessuna esplicita o implicita garanzia è data per la completezza, precisione, affidabilità del suo contenuto. Tutti i dati e le specifiche in essa riportati sono soggetti a modifiche senza preavviso. Fanno fede i dati comunicati al momento dell'ordine. Daikin Applied Europe S.p.A. respinge esplicitamente qualsiasi responsabilità per qualsiasi danno diretto o indiretto, nel senso più ampio del termine, derivanti o connessi con l'uso e / o l'interpretazione di questa pubblicazione. Tutto il contenuto è protetto da copyright di Daikin Applied Europe S.p.A.

D-EIMOC2009-23_00EN